

HSF

NOTES:

Current Rating: 3.2AMP Max.
 Voltage Rating: 250VAC
 Contact Resistance: 30mΩ Max
 Withstand Voltage: 750V AC
 Insulation Resistance: 1000MΩ Min
 Operation Temperature: -55°C to +125°C

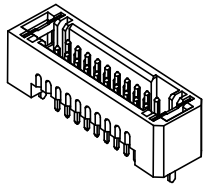
Contact Material: Copper Alloy

Contact plating:

xxu" Gold On Contact Area, (See Ordering Information)
 100u" Matte Tin On Solder Area
 50u" Nickel Underplating Overall
 Insulator And Cap Material: LCP, G.F, UL94V-0, Black

Recommended Process:

Wave Soldering, Peak Temperature: 260±5°C
 For 5+/-1s



3D VIEW

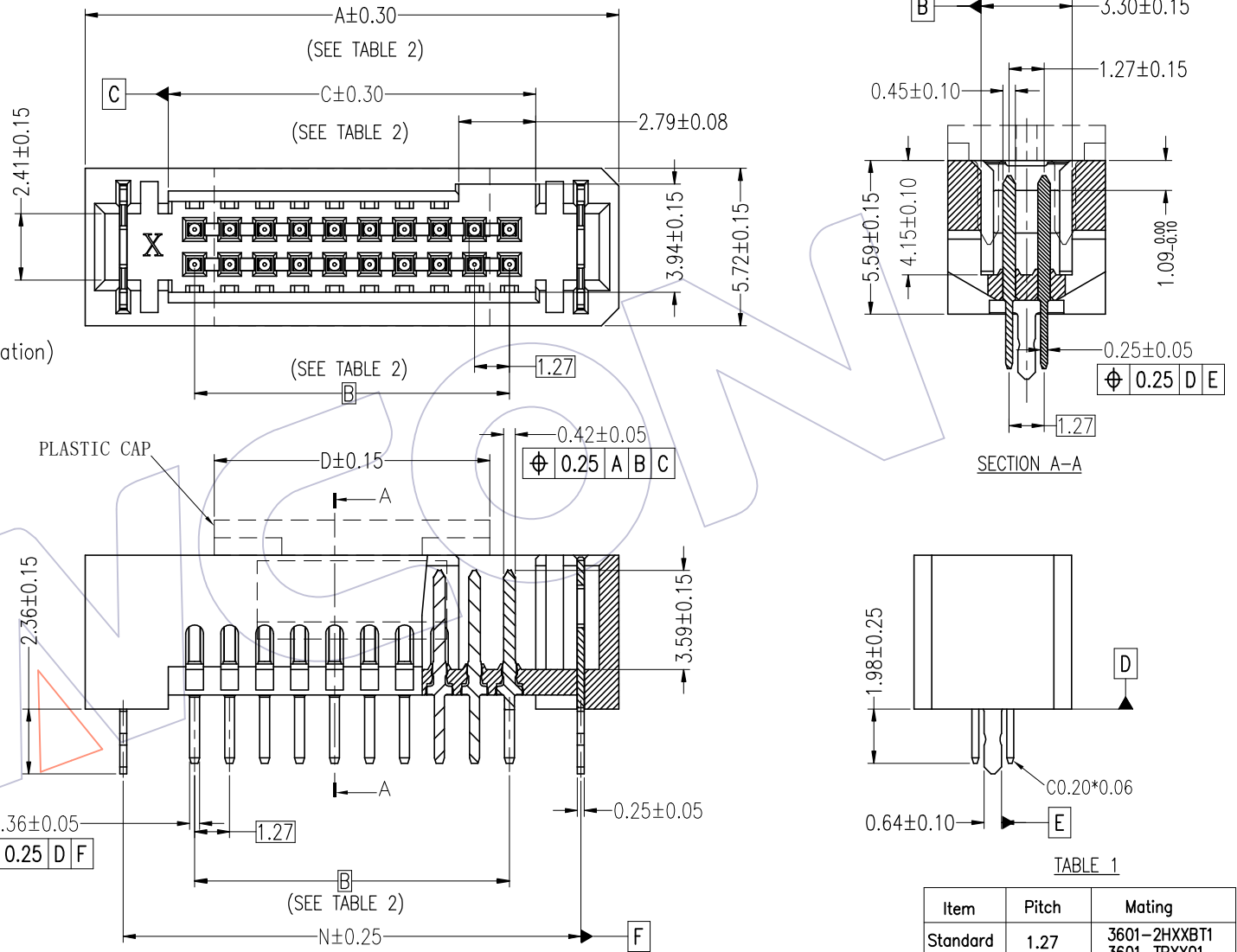


TABLE 1

Item	Pitch	Mating
Standard	1.27	3601-2HXXBT1 3601-TPXX01

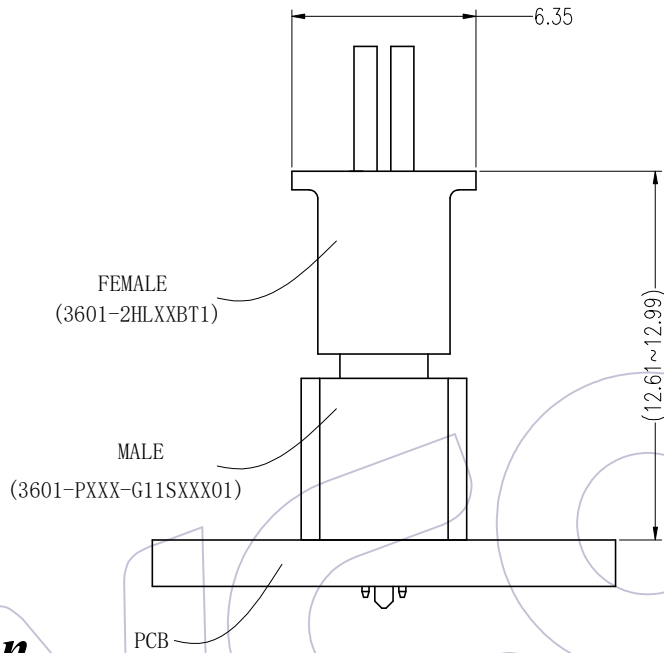
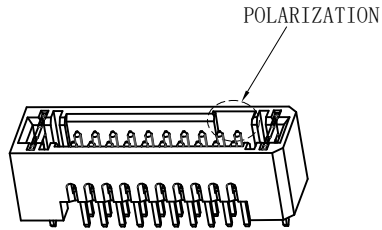
REV	DATE	MODIFICATION DESCRIPTION	CHANGE	OPERATION	DRAW	DATE	SCALE	FIT	PART NO.
A1	2025/08/01	Change the drawing according to the physical objec	OHJ	X.X ±0.40	OHJ	2025/08/01	UNIT	mm	3601-PXXX-G11SXXX01
AO	2021/07/31	NEW	YE XIAOBING	X.XX ±0.25	CHECK	DATE	SIZE	A4	TITLE: 1.27mm BTB Male Header W=5.72, -WT Style, DIP
				X.XXX ±0.15	APPROVE	DATE	SHEET	1/2	Customer NO.
				Angle ± 3'			PROJ.	⌀	
				DIM TOL					

WCON
 Http: www.wcon.com

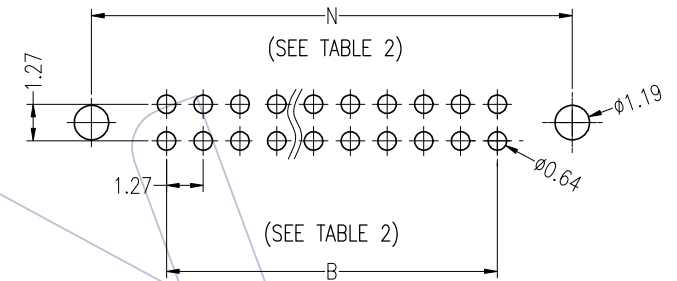
WCON-Dongguan
 Tel: +86 769 85358920
 Fax: +86 769 85358915
 E-mail: sales@wcon.com

WCON-Kunshan
 Tel: +86 512 57468408
 Fax: +86 512 57468468
 E-mail: salesks@wcon.com

HSF



Recommended P.C.B Layout(Top Side)
(PCB BOARD TOLERANCE±0.05)



Ordering Information

3601 - P XXX- G 1 1 S XX X 01

No. Of Pins: _____
04-100Pin
(See Table 2)

Housing Locking: _____
1=Without Locking, With Notch

Housing Height: _____
1=5.588mm

Packaging :
R=Tape & Reel+ Cap
T=Tube
P=Tube + Cap

Contact Plating:
W2=5u" Gold/Matte Tin,
W3=10u" Gold/Matte Tin,
W4=15u" Gold/Matte Tin,
W5=30u" Gold/Matte Tin,

TABLE 2:

PIN No.	Part Number	DIM.A Δ	DIM.B	DIM.C	DIM.D	DIM.N
04	3601-P004-G11SXXX01	9.22	1.27	3.18	5.72	6.45
06	3601-P006-G11SXXX01	10.49	2.54	4.45		7.72
08	3601-P008-G11SXXX01	11.76	3.81	5.72		8.99
10	3601-P010-G11SXXX01	13.03	5.08	6.99		10.26
12	3601-P012-G11SXXX01	14.30	6.35	8.26	10.01	11.53
14	3601-P014-G11SXXX01	15.57	7.62	9.53		12.8
16	3601-P016-G11SXXX01	16.84	8.89	10.80		14.07
20	3601-P020-G11SXXX01	19.38	11.43	13.34		16.61
30	3601-P030-G11SXXX01	25.73	17.78	19.69		22.96
40	3601-P040-G11SXXX01	32.08	24.13	26.04		29.31
50	3601-P050-G11SXXX01	38.43	30.48	32.39		35.66
60	3601-P060-G11SXXX01	44.78	36.83	38.74		42.01
70	3601-P070-G11SXXX01	51.53	43.18	45.09		48.36
80	3601-P080-G11SXXX01	57.48	49.53	51.44		54.71
90	3601-P090-G11SXXX01	63.83	55.88	57.79	61.06	
100	3601-P100-G11SXXX01	70.18	62.23	64.14	67.41	

REV	DATE	MODIFICATION DESCRIPTION	CHANGE	OPERATION	DRAW	DATE	SCALE	FIT	PART NO.	 Http: www.wcon.com WCON-Dongguan Tel: +86 769 85358920 Fax: +86 769 85358915 E-mail: sales@wcon.com WCON-Kunshan Tel: +86 512 57468408 Fax: +86 512 57468468 E-mail: salesks@wcon.com
				x.x ±0.40	OHJ	2025/08/01	UNIT	mm	3601-PXXX-G11SXXX01	
A1	2025/08/01	Change the drawing according to the physical objec	OHJ	x.xx ±0.25	CHECK	DATE	SIZE	A4	TITLE: 1.27mm BTB Male Header	
AO	2021/07/31	NEW	YE XIAOBING	x.xxx ±0.15	APPROVE	DATE	SHEET	2/2	W=5.72, -WT Style, DIP	
				Angle ± 3'			PROJ.	Customer NO.		
				DIM TOL						