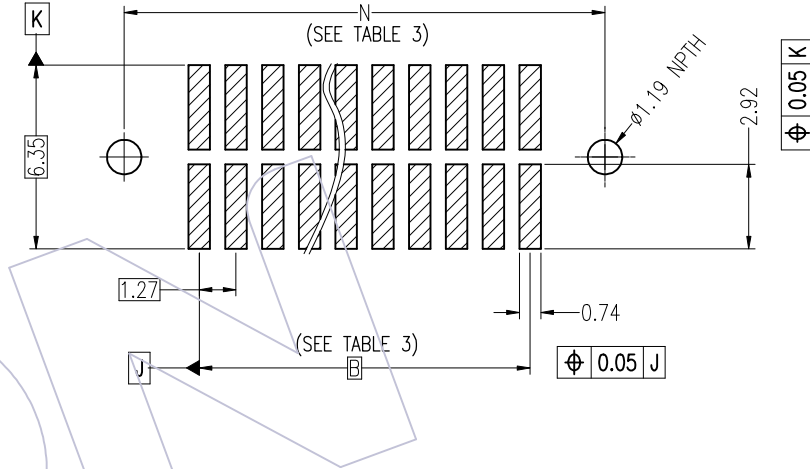
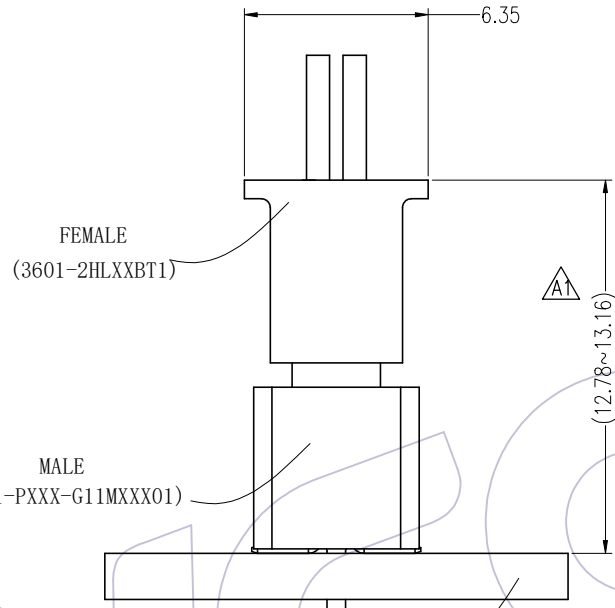
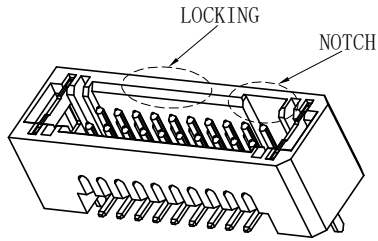


HSF

Recommended P.C.B Layout(Top Side)
(PCB BOARD TOLERANCE±0.05)



Ordering Information

3601 - P XXX- G 1 1 M XX X 01

No. Of Pins: _____
04-100Pin
(See Table 3)

Housing Locking: _____
1=Without Locking, With Notch

Housing Height: _____
1=5.588mm

Packaging :
R=Tape & Reel+ Cap
T=Tube
P=Tube + Cap

Contact Plating:
W2=5u" Gold/Matte Tin,
W3=10u" Gold/Matte Tin,
W4=15u" Gold/Matte Tin,
W5=30u" Gold/Matte Tin,

TABLE 3:

PIN No.(HOUSING WITHOUT LOCKING)	Part Number	DIM.A Δ	DIM.B	DIM.C	DIM.N
04	3601-P004-G11MXXX01	9.22[0.363]	1.27[.050]	3.18[.125]	6.45[.254]
06	3601-P006-G11MXXX01	10.49[0.413]	2.54[.100]	4.45[.175]	7.72[.304]
08	3601-P008-G11MXXX01	11.76[0.463]	3.81[.150]	5.72[.225]	8.99[.354]
10	3601-P010-G11MXXX01	13.03[0.513]	5.08[.200]	6.99[.275]	10.26[.404]
12	3601-P012-G11MXXX01	14.30[0.563]	6.35[.250]	8.26[.325]	11.53[.454]
14	3601-P014-G11MXXX01	15.57[0.623]	7.62[.300]	9.53[.375]	12.8[.504]
16	3601-P016-G11MXXX01	16.84[0.663]	8.89[.350]	10.80[.425]	14.07[.554]
20	3601-P020-G11MXXX01	19.38[0.764]	11.43[.450]	13.34[.525]	16.61[.654]
30	3601-P030-G11MXXX01	25.73[1.014]	17.78[.700]	19.69[.775]	22.96[.905]
40	3601-P040-G11MXXX01	32.08[1.264]	24.13[.950]	26.04[1.025]	29.31[1.155]
50	3601-P050-G11MXXX01	38.43[1.514]	30.48[1.200]	32.39[1.275]	35.66[1.405]
60	3601-P060-G11MXXX01	44.78[1.764]	36.83[1.450]	38.74[1.525]	42.01[1.655]
70	3601-P070-G11MXXX01	51.53[2.030]	43.18[1.700]	45.09[1.775]	48.36[1.905]
80	3601-P080-G11MXXX01	57.48[2.265]	49.53[1.950]	51.44[2.025]	54.71[2.156]
90	3601-P090-G11MXXX01	63.83[2.515]	55.88[2.200]	57.79[2.275]	61.06[2.406]
100	3601-P100-G11MXXX01	70.18[2.765]	62.23[2.450]	64.14[2.525]	67.41[2.656]

REV	DATE	MODIFICATION DESCRIPTION	CHANGE	OPERATION	DRAW	DATE	SCALE	FIT	PART NO.
A1	2025/07/24	Change the drawing according to the physical objec	OHJ	x.X ±0.40	OHJ	2025/07/24	UNIT	mm	3601-PXXX-G11MXXX01
AO	2021/07/31	NEW	YE XIAOBING	x.XX ±0.25	CHECK	DATE	SIZE	A4	TITLE: 1.27mm BTB Male Header W=5.72, -WT Style, SMT
				x.XXX ±0.15	APPROVE	DATE	SHEET	2/2	Customer NO.
				Angle ± 3°			PROJ.		
				DIM TOL					

WCON
Http: www.wcon.com

WCON-Dongguan
Tel: +86 769 85358920
Fax: +86 769 85358915
E-mail: sales@wcon.com

WCON-Kunshan
Tel: +86 512 57468408
Fax: +86 512 57468468
E-mail: salesks@wcon.com