

# HSF

## NOTES:

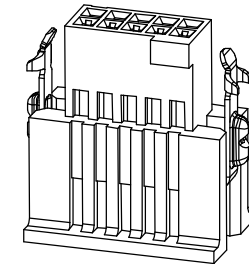
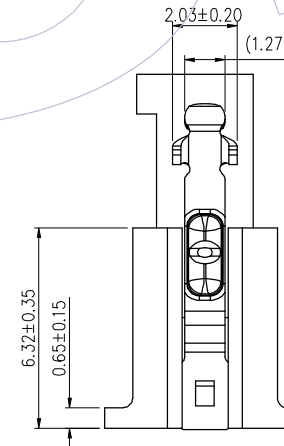
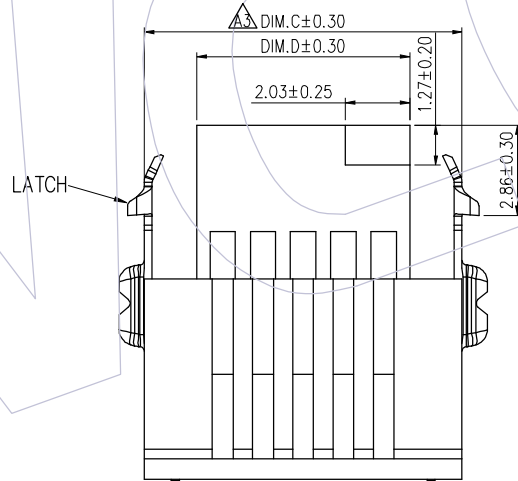
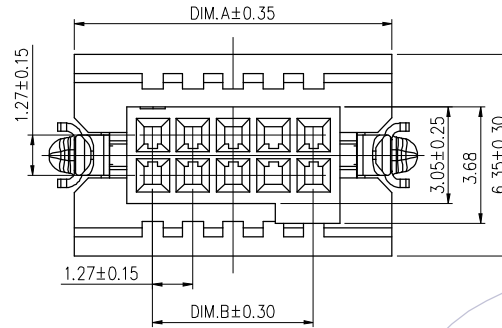
Rated Current: 2.9A AT AWG28#(Two by one contact energized, AT 30°C Rise, Room Temp 22.1°C)  
 Contact Resistance: 15mΩ Max.  
 Applicable Wire: 0.3sq., AWG#28, #30  
 Operating Temperature Range:  
 Components: -55°C to +125°C  
 Cable Assembly with PVC Cable: -10°C to +80°C  
 Cable Assembly with Teflon Cable: -40°C to +125°C

Contact Material: Copper alloy  
 Contact plating: 50u" Nickel Underplating Overall

Latch retention force : 2.5N

Table 1:

Pin NO.	Part NO.	DIM.A	DIM.B	DIM.C	DIM.D
2*2P	3601-2HL02BT1	6.22	1.27	6.22	2.92
2*3P	3601-2HL03BT1	7.49	2.54	7.49	4.19
2*4P	3601-2HL04BT1	8.76	3.81	8.76	5.46
2*5P	3601-2HL05BT1	10.03	5.08	10.03	6.73
2*6P	3601-2HL06BT1	11.30	6.35	11.30	8.00
2*7P	3601-2HL07BT1	12.57	7.62	12.57	9.27
2*8P	3601-2HL08BT1	13.84	8.89	13.84	10.54
2*10P	3601-2HL10BT1	16.38	11.43	16.38	13.08
2*15P	3601-2HL15BT1	22.73	17.78	22.73	19.43
2*20P	3601-2HL20BT1	29.08	24.13	29.08	25.78
2*25P	3601-2HL25BT1	35.43	30.48	35.43	32.13
2*30P	3601-2HL30BT1	41.78	36.83	41.78	38.48
2*35P	3601-2HL35BT1	48.13	43.18	48.13	44.83
2*40P	3601-2HL40BT1	54.48	49.53	54.48	51.18
2*45P	3601-2HL45BT1	60.83	55.88	60.83	57.53
2*50P	3601-2HL50BT1	67.18	62.23	67.18	63.88



3D View

## Ordering Information

**3601-2 HL XX B T 1**

Row Specification:  
 1=Single  
 2=Double  
 Signature code:  
 HL=With Latch  
 No of positions:  
 02 Thru 50pin  
 (PRE Row)

Packing:  
 T=Tube  
 Color:  
 B=black

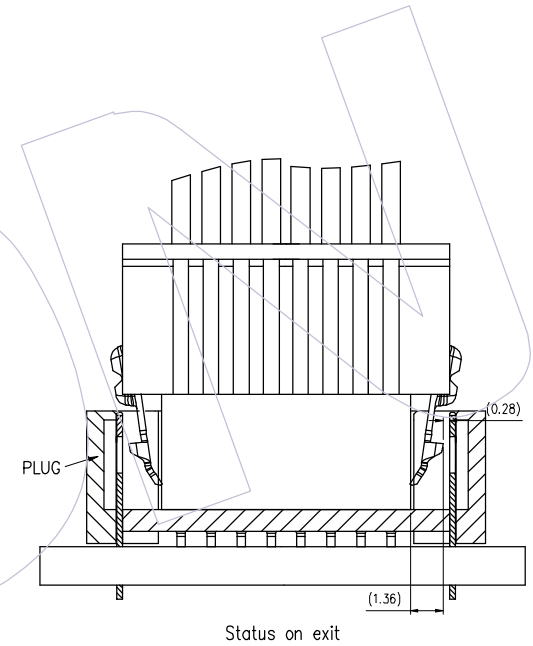
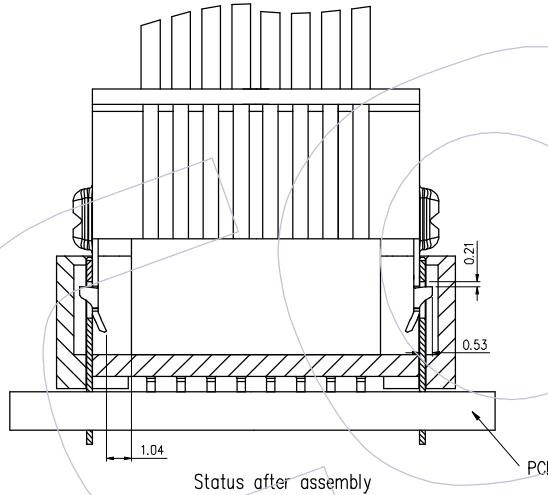
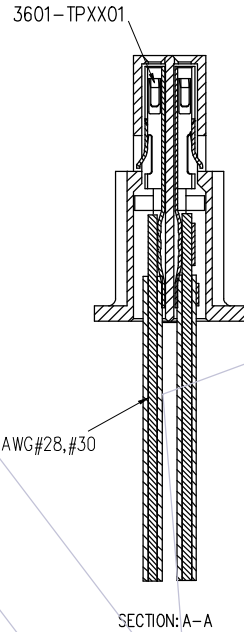
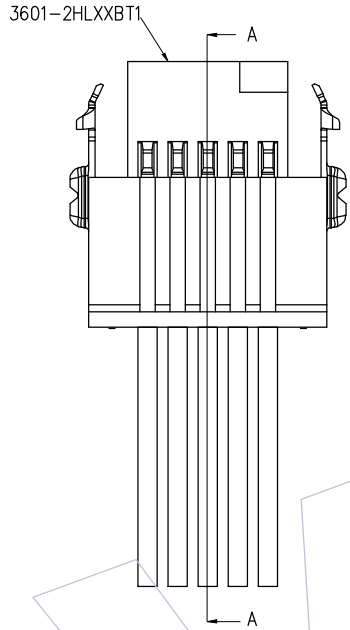
Rev	Date	Modification scription	Change	Operation		Draw	Date	Scale	FIT	Part No.
				x.x	± 0.40					
A1	2023/06/16	Adjustment Size	Jason	x.xx	± 0.35	Jason	2023/06/16	Unit	mm	3601-2HLXXBT1
A0	2021/12/21	NEW	Ken	x.xxx	± 0.15	Check	Date	Size	A4	1.27mm BTB Female Header, Discrete Wire Insulator & latch ASM
				Angle	± 3°	Approve	Date	Sheet	1/2	
				DIM	TOL			PROJ.		Customer No.

# WCON

Http: www.wcon.com

WCON-Dongguan	WCON-Kunshan
Tel: +86 769 85358920	Tel: +86 512 57468408
Fax: +86 769 85358915	Fax: +86 512 57468468
E-mail: sales@wcon.com	E-mail: sales@wcon.com

# HSF



**NOTES:**

1. MINIMUM PULLOUT FORCE: 13.3 N.
2. CONTACT MUST BE INSERTED UNTIL RETENTION FEATURE LOCKS INTO PLACE.
3. 13.3 N MIN WIRE CRIMP STRENGTH FOR -30 AWG AND 20.02N MIN WIRE CRIMP STRENGTH FOR -28 AWG.

**TABLE 1**

Item	Pitch	Mating
Standard	1.27	3601-PXXX-G11XXXX01
		3601-PXXX-H15RXXTX

				Operation	Draw	Date	Scale	FIT	Part No.
				x.x ±0.40	Jason	2023/06/16	Unit	mm	3601-2HLXXBT1
A1	2023/06/16	Adjustment Size	Jason	x.xx ±0.35	Check	Date	Size	A4	Title:
AO	2021/12/21	NEW	Ken	x.xxx ±0.15	Approve	Date	Sheet	2/2	1.27mm BTB Female Header, Discrete Wire Insulator & latch ASM
Rev	Date	Modification scription	Change	Angle ± 3°			PROJ.	⌀	Customer No.
				DIM TOL					

## WCON

Http: [www.wcon.com](http://www.wcon.com)

WCON-Dongguan Tel: +86 769 85358920 Fax: +86 769 85358915 E-mail: <a href="mailto:sales@wcon.com">sales@wcon.com</a>	WCON-Kunshan Tel: +86 512 57468408 Fax: +86 512 57468468 E-mail: <a href="mailto:salesks@wcon.com">salesks@wcon.com</a>
-------------------------------------------------------------------------------------------------------------------------------	----------------------------------------------------------------------------------------------------------------------------------