

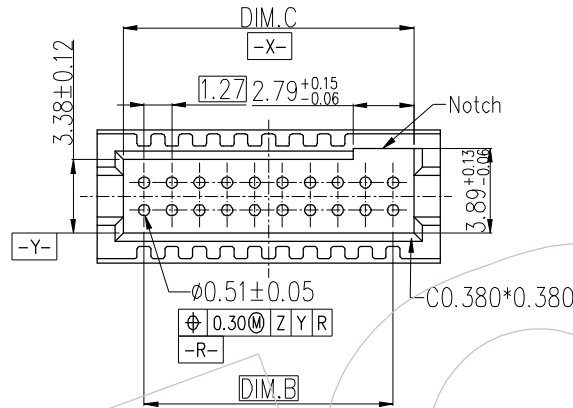
# HSF

**NOTES:**

Rated Current: 2.9A (Two by one contact energized,  
 AT 30°C Rise, Room Temp 22.1°C)  
 Contact Resistance: 15mΩ Max.  
 Applicable Wire: AWG#28, #30  
 Operating Temperature Range:  
 Components: -55°C to +125°C  
 Cable Assembly with PVC Cable: -10°C to +80°C  
 Cable Assembly with Teflon Cable: -40°C to +125°C

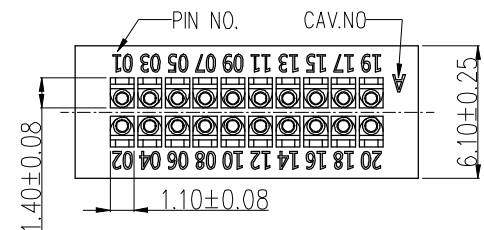
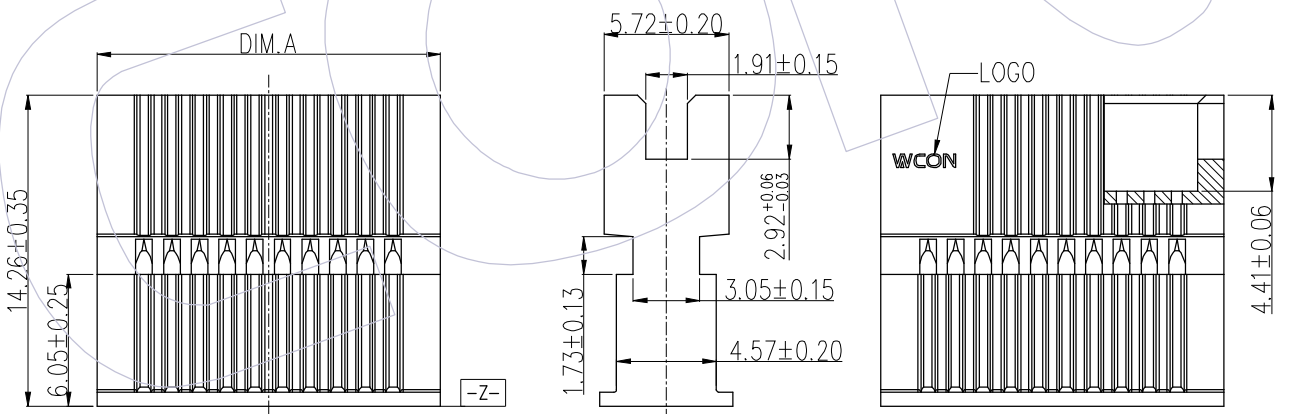
**Table1:**

Pin No	Part No.	DIM. A		DIM. B	DIM. C	
		Value	Tolerance		Value	Tolerance
2*2	3601-2HKX02B01W	5.59	±0.15	1.27	3.175	±0.05
2*3	3601-2HKX03B01W	6.86		2.54	4.445	
2*4	3601-2HKX04B01W	8.13		3.81	5.715	
2*5	3601-2HKX05B01W	9.40		5.08	6.985	
2*6	3601-2HKX06B01W	10.67		6.35	8.255	
2*7	3601-2HKX07B01W	11.94	±0.25	7.62	9.525	±0.10
2*8	3601-2HKX08B01W	13.21		8.89	10.795	
2*10	3601-2HKX10B01W	15.75		11.43	13.335	
2*15	3601-2HKX15B01W	22.10		17.78	19.685	
2*20	3601-2HKX20B01W	28.45		24.13	26.035	
2*25	3601-2HKX25B01W	34.80	±0.35	30.48	32.385	±0.15
2*30	3601-2HKX30B01W	41.15		36.83	38.735	
2*35	3601-2HKX35B01W	47.50		43.18	45.085	
2*40	3601-2HKX40B01W	53.85		49.53	51.435	
2*45	3601-2HKX45B01W	60.20		55.88	57.785	
2*50	3601-2HKX50B01W	66.55	62.23	64.135		



**Table2:**

Code	Pin No.	Notch	Bump Locking A	Bump Locking B	Bump Locking C
B	10,14,16	NO	YES	NO	NO
A	20-40	YES	YES	NO	NO
	50-60	YES	YES	YES	NO
	70-100	YES	YES	YES	YES
BLANK	ALL	YES	NO	NO	NO




**Table3:**

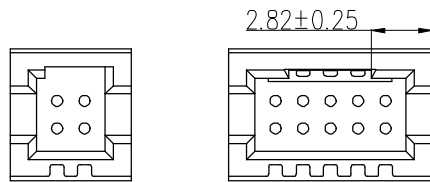
Adaptation Terminal
3601-MTCXX01

**3601-2HKXXXB01W**

ROW NO.:  
 2=DOUBLE ROW  
 TYPE CODE:  
 HK=MALE HOSING  
 SHAPE CODE:  
 BLANK=Notch+No Bump Locking  
 A=Notch+Bump Locking  
 B=No Notch+Bump Locking  
 (SEE TABLE2)  
 LOGO CODE:  
 W=WCON  
 PACK CODE:  
 O=PE BAG  
 COLOR CODE:  
 B=BLACK  
 SINGLE ROW PINS:  
 02~50pin

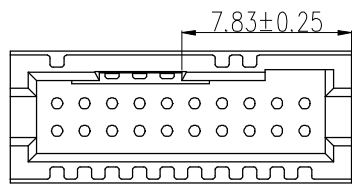
				Operation	Draw	Date	Scale	FIT	Part No.	 Http: www.wcon.com WCON-Dongguan Tel: +86 769 85358920 Fax: +86 769 85358915 E-mail: sales@wcon.com WCON-Kunshan Tel: +86 512 57468408 Fax: +86 512 57468468 E-mail: salesks@wcon.com
				x.x ±0.40	Andrey.yang	2022/01/05	Unit	mm	3601-2HKXXXB01W	
				x.xx ±0.35	Check	Date	Size	A4	Title:	
A0	2022/01/05	NEW RELEASE	Andrey.yang	x.xxx ±0.15	Approve	Date	Sheet	1/4	1.27mm BTB Cable Assembly male Header Series Conn.	
Rev	Date	Modification scripction	Change	Angle ± 3°			PROJ.	Customer No.		

# HSF

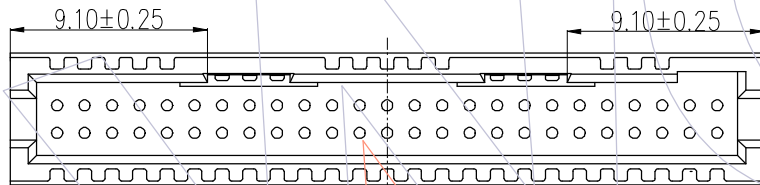


**2\*2 -2\*50P**

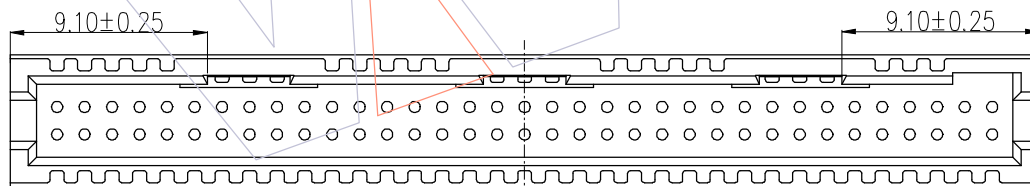
**2\*5,2\*7,2\*8P**



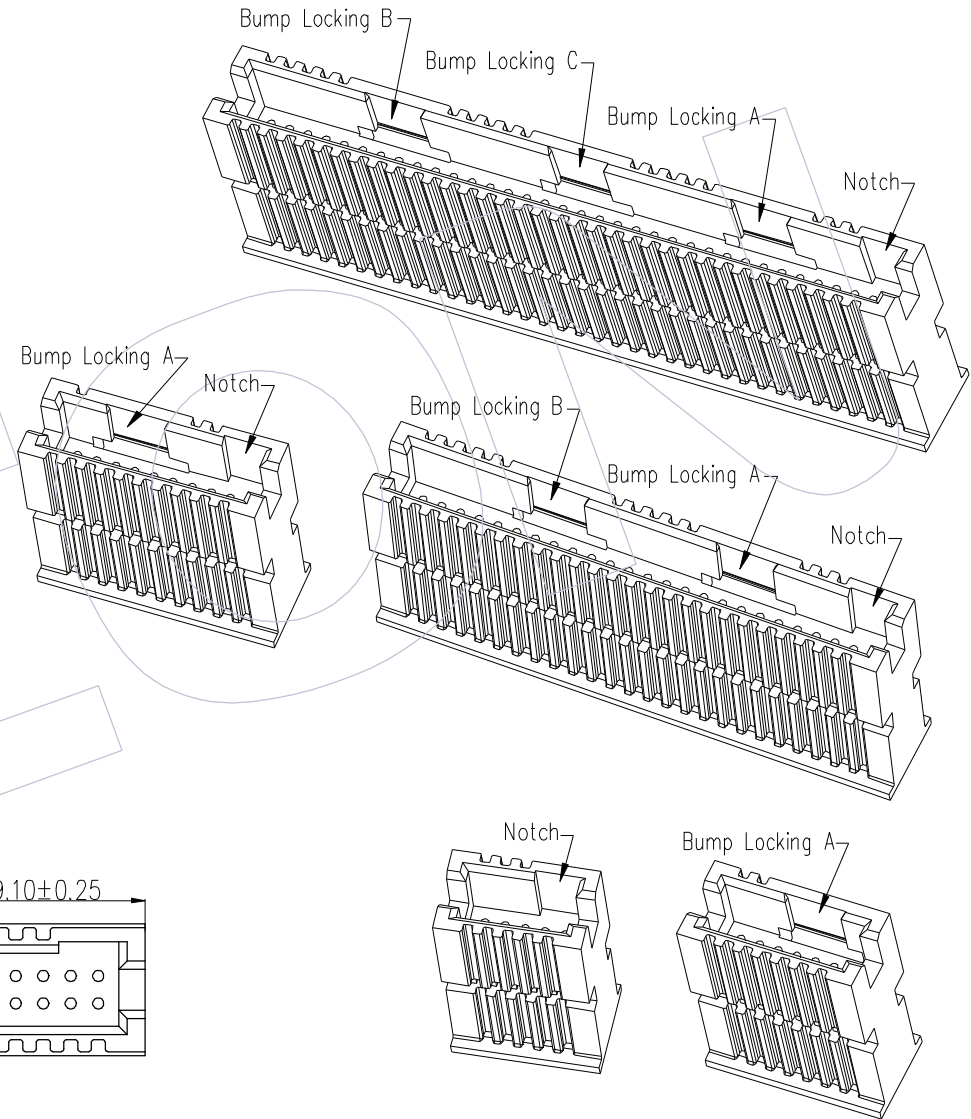
**2\*10 -2\*24P**



**2\*25-2\*34P**



**2\*35-2\*50P**



				Operation	Draw	Date	Scale	FIT	Part No.
				x.x ±0.40	Andrey.yang	2022/01/05	Unit	mm	3601-2HKXXXB01W
				x.xx ±0.35	Check	Date	Size	A4	Title:
				x.xxx ±0.15	Approve	Date	Sheet	2/4	1.27mm BTB Cable Assembly male Header Series Conn.
AO	2022/01/05	NEW RELEASE	Andrey.yang	Angle ± 3°			PROJ.	⌀	Customer No.
Rev	Date	Modification scripction	Change	DIM TOL					



Http: [www.wcon.com](http://www.wcon.com)

WCON-Dongguan	WCON-Kunshan
Tel: +86 769 85358920	Tel: +86 512 57468408
Fax: +86 769 85358915	Fax: +86 512 57468468
E-mail: <a href="mailto:sales@wcon.com">sales@wcon.com</a>	E-mail: <a href="mailto:salesks@wcon.com">salesks@wcon.com</a>

# HSF

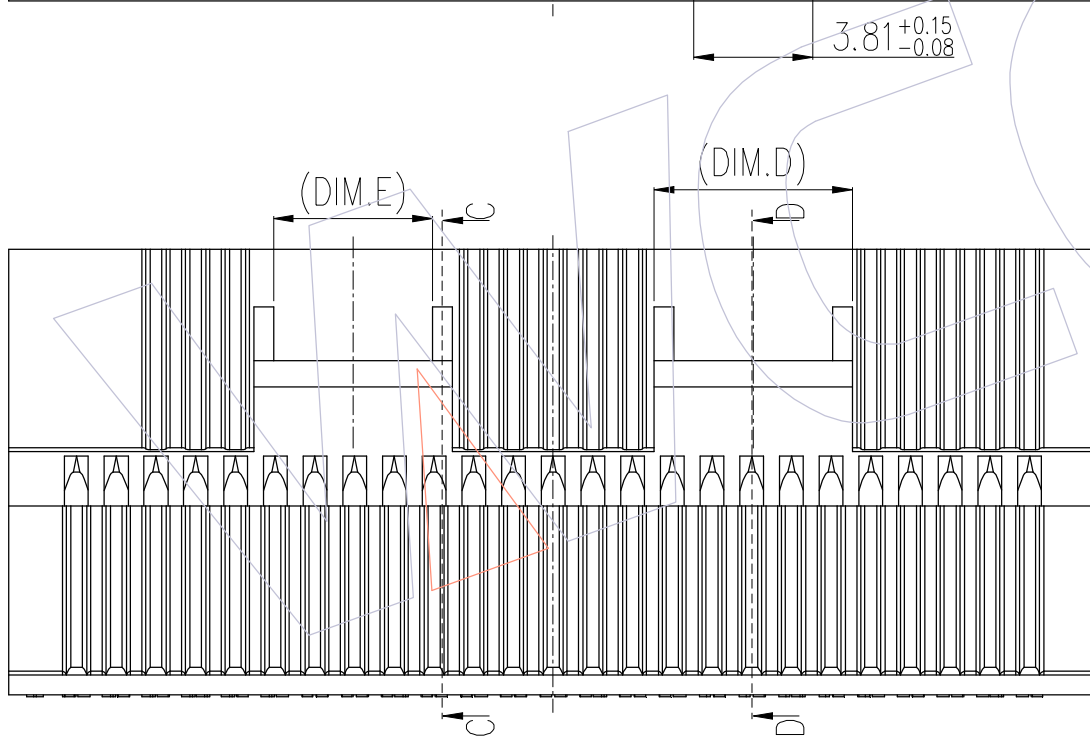
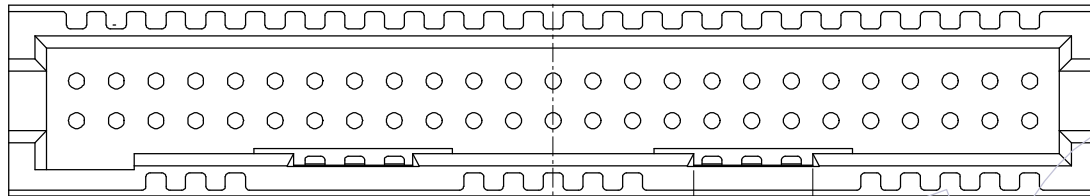
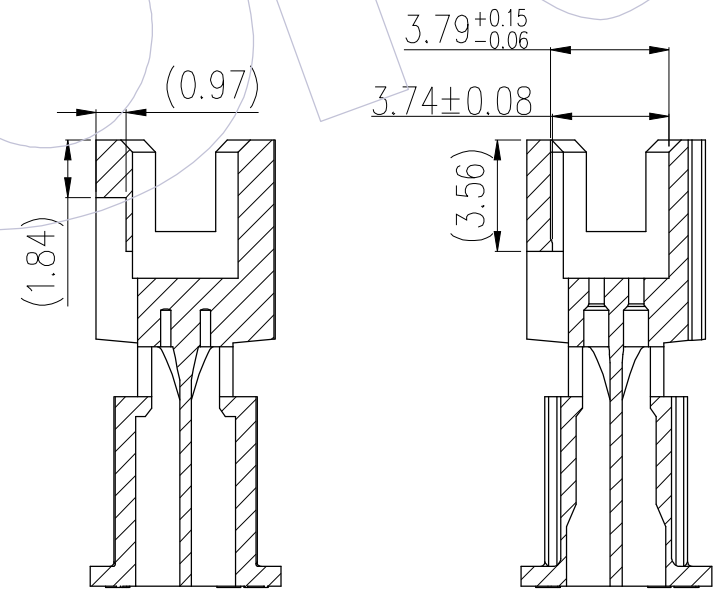



TABLE. 4

NO. OF POS.	DIM. D	DIM. E
EVEN (EXCEPT 2*08P)	6.35	5.08
ODD (EXCEPT 2*05, 2*07P)	6.35	5.08
2*5, 2*7P, 2*8P	5.715	4.445

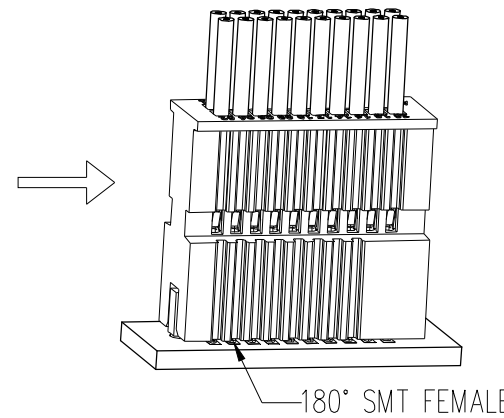
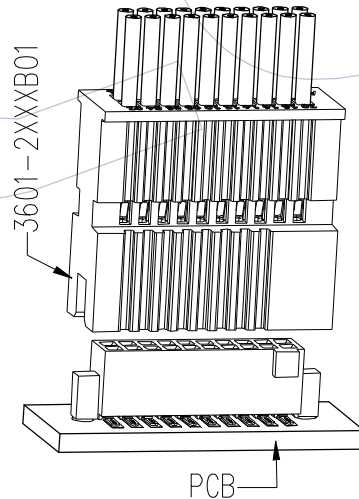
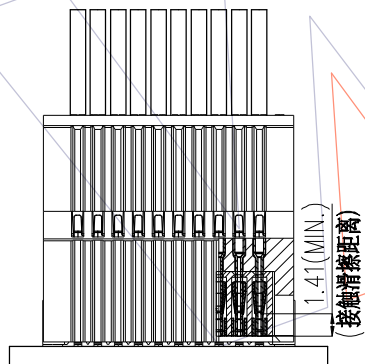
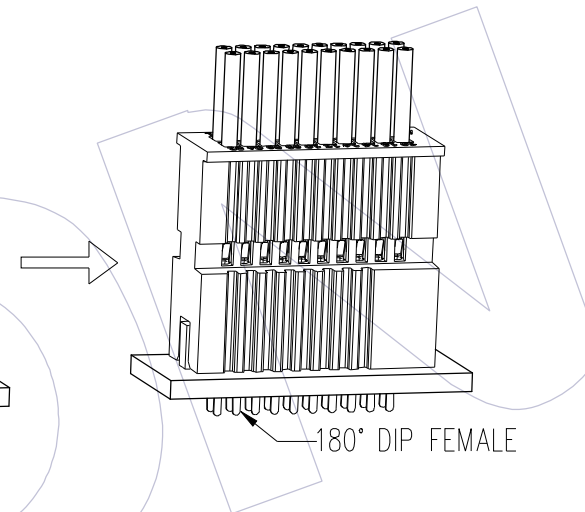
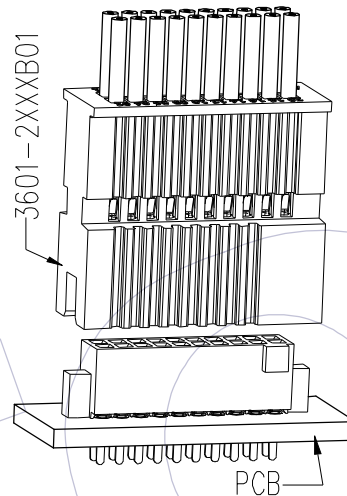
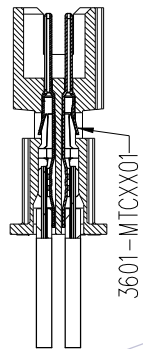
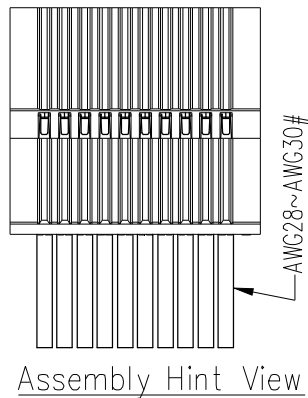


SECTION: D-D  
SCALE: 1/1

SECTION: D-D  
SCALE: 1/1

				Operation	Draw	Date	Scale	FIT	Part No.	 <a href="http://www.wcon.com">Http: www.wcon.com</a> WCON-Dongguan Tel: +86 769 85358920 Fax: +86 769 85358915 E-mail: sales@wcon.com	WCON-Kunshan Tel: +86 512 57468408 Fax: +86 512 57468468 E-mail: salesks@wcon.com
			x.x ±0.40	Andrey.yang	2022/01/05	Unit	mm	3601-2HKXXXB01W			
			x.xx ±0.35	Check	Date	Size	A4	Title: 1.27mm BTB Cable Assembly male Header Series Conn.			
AO	2022/01/05	NEW RELEASE	x.xxx ±0.15	Andrey.yang		Sheet	3/4	Customer No.			
Rev	Date	Modification scripction	Angle ± 3°	Approve	Date	PROJ.	⌀				
			DIM TOL								

# HSF



Operation	Draw	Date	Scale	FIT	Part No.
x.x ±0.40	Andrey.yang	2022/01/05	Unit	mm	3601-2HKXXXB01W
x.xx ±0.35	Check	Date	Size	A4	Title:
x.xxx ±0.15	Approve	Date	Sheet	3/4	1.27mm BTB Cable Assembly male Header Series Conn.
Angle ± 3°			PROJ.	⌀	Customer No.
DIM TOL					

AO	2022/01/05	NEW RELEASE	Andrey.yang
Rev	Date	Modfication scripction	Change

## WCON

Http: www.wcon.com

WCON-Dongguan Tel: +86 769 85358920 Fax: +86 769 85358915 E-mail: sales@wcon.com	WCON-Kunshan Tel: +86 512 57468408 Fax: +86 512 57468468 E-mail: salesks@wcon.com
---	--