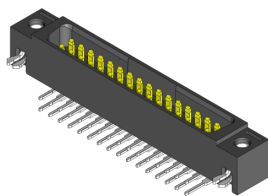




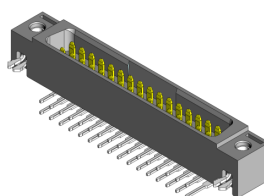


### SPECIFICATIONS

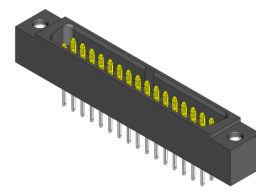
Current Rating:3.0 AMP  
 Contact Resistance:15mΩ Max.  
 Insulation Resistance: 1000MΩ Min  
 Withstand Voltage: 1000V AC/Minute  
 Operation Temperature: -55°C to +105°C  
 Contact Material:Phosphor Bronze  
 Contact Plating: Au And Sn Over Ni  
 Insulation Material:PBT (UL94V-0)  
 Type:FU



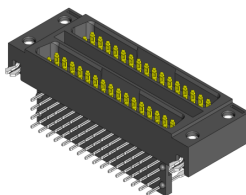
6340-132MRESXMWT01



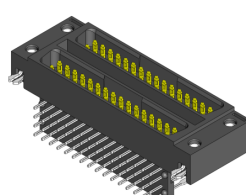
6340-132MRSXMWT01



6340-132MSSXMNT01



6340-232MRESXMWT01



6340-232MRSXMWT01

6340 - X XX M X SX M W T 01

Row  
 1:Single Row  
 2:Dual Row

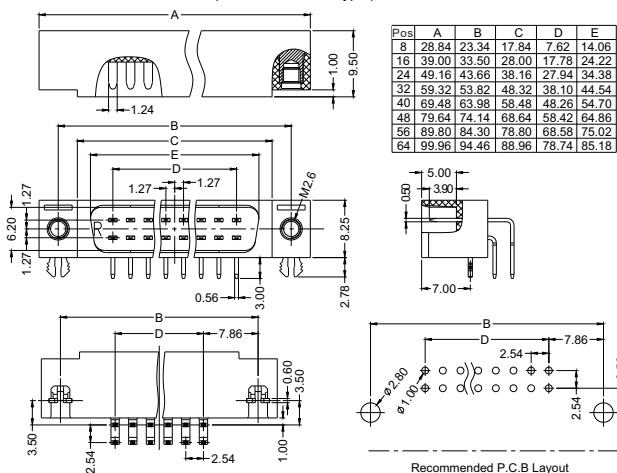
Positions  
 8,16,24,32,40,  
 48,56,64

Board-Mounting  
 R=R/A DIP  
 S=S/T DIP  
 RE=R/A DIP,Reverse Type

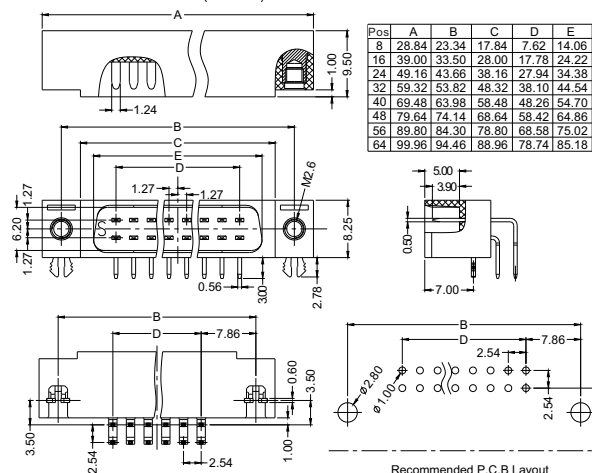
Contact plating area  
 S0=Gold Flash/Tin  
 S1=30U" Au/Tin  
 S3=10U" Au/Tin

Packaging  
 T=Tube

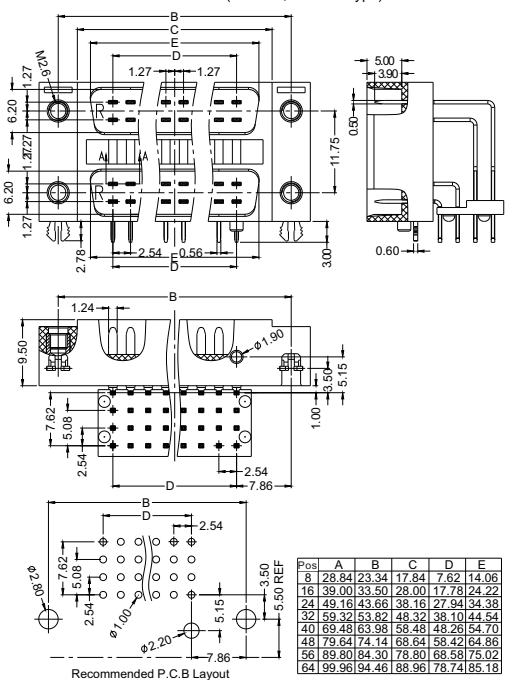
6340-1XXMRESXMWT01 (R/A DIP,Reverse Type)



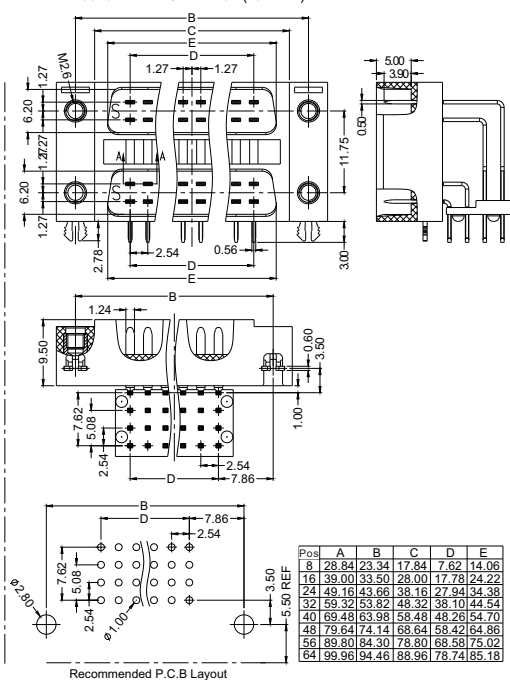
6340-1XXMRSXMWT01 (R/A DIP)



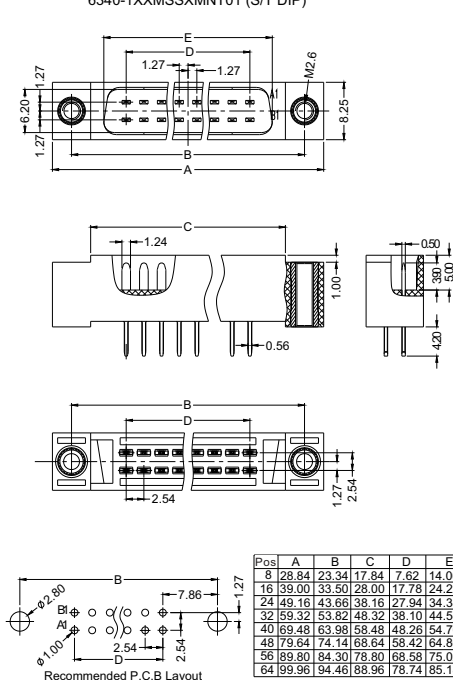
6340-2XXMRESXMWT01 (R/A DIP,Reverse Type)



6340-2XXMRSXMWT01 (R/A DIP)

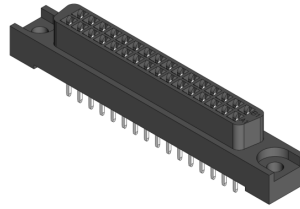


6340-1XXMSSXMNT01 (S/T DIP)

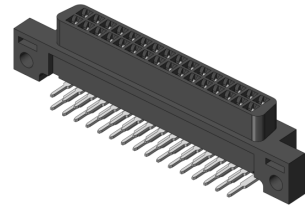


**SPECIFICATIONS**

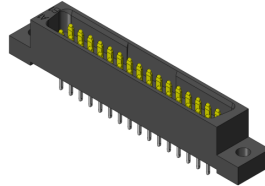
Current Rating:3.0 AMP  
 Contact Resistance:15mΩ Max.  
 Insulation Resistance: 1000MΩ Min  
 Withstand Voltage: 1000V AC/Minute  
 Operation Temperature: -55°C to +105°C  
 Contact Material:Phosphor Bronze  
 Contact Plating: Au And Sn Over Ni  
 Insulation Material:PBT (UL94V-0)  
 Type:FU



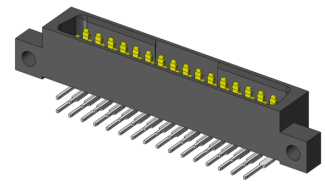
6340-132FSSXM1NT01



6340-132FRSXM2NT01



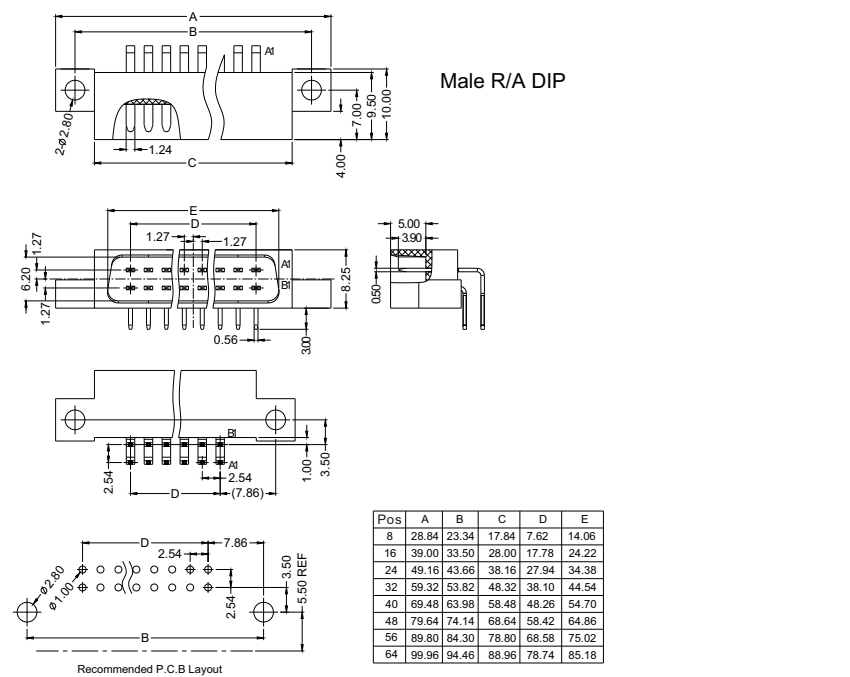
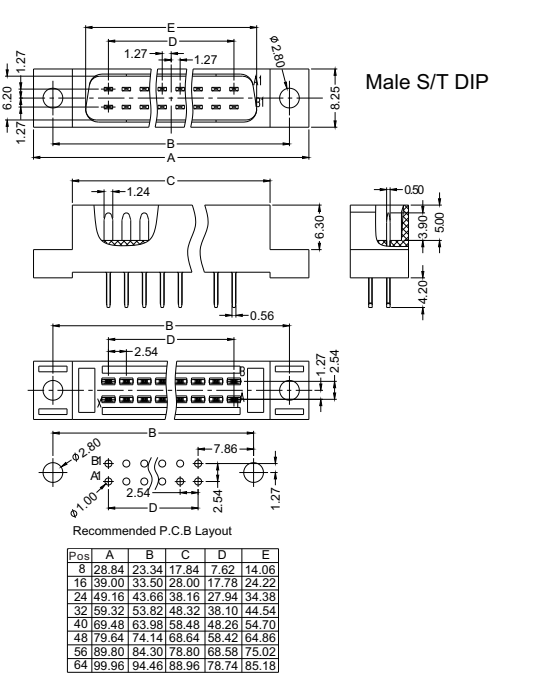
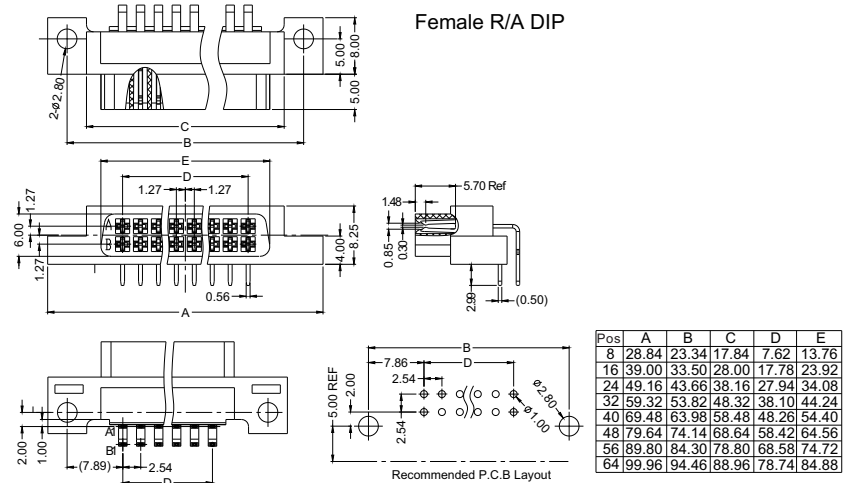
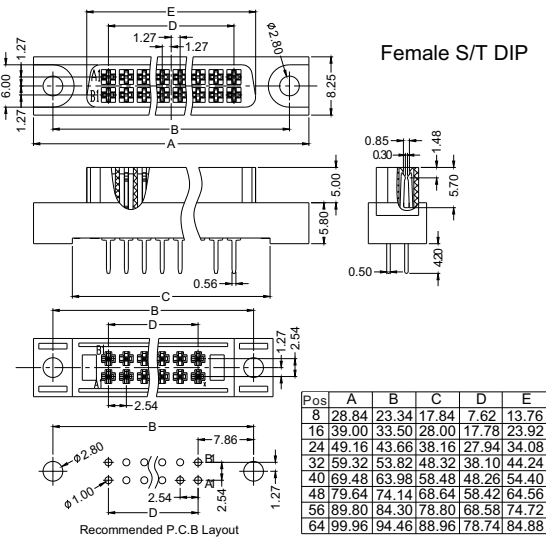
6340-132MSSXM1NT01



6340-132MRSXM2NT01

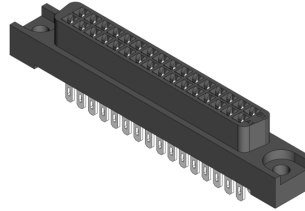
6340 - X XX X X SX M N T 01

Row 1:Single Row 2: Dual Row  
 Positions 8,16,24,32,40, 48,56,64  
 Type M:Male F:Female  
 Board-Mounting R=R/A DIP S=S/T DIP  
 Contact plating area S1=30U" Au/Tin S3=10U" Au/Tin  
 Packaging T=Tube

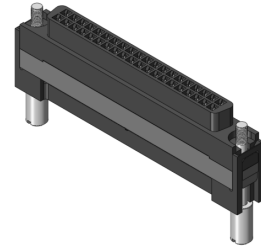


**SPECIFICATIONS**

Current Rating:3.0 AMP  
 Contact Resistance:15mΩ Max.  
 Insulation Resistance: 1000MΩ Min  
 Withstand Voltage: 250V AC/Minute  
 Operation Temperature: -55°C to +105°C  
 Contact Material:Phosphor Bronze  
 Contact Plating: Au And Sn Over Ni  
 Insulation Material:PBT (UL94V-0)  
 Type:FU



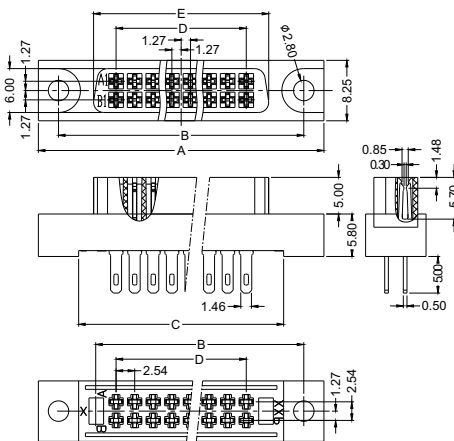
6341-32FH28SXT01



6341-32FIE28SXT01

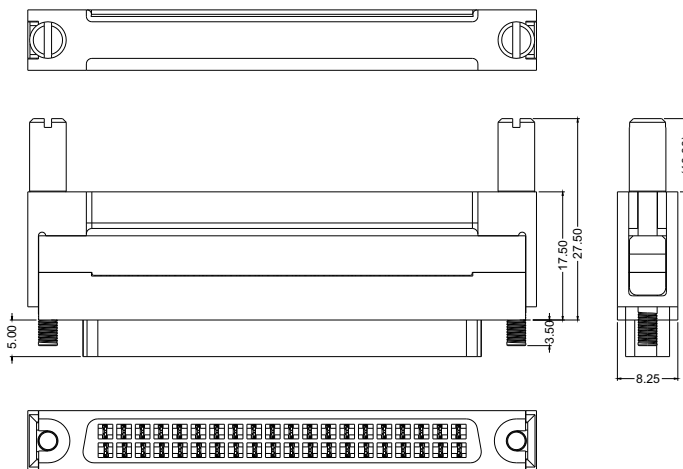
6341	-	<u>XX</u>	F	<u>X</u>	E	<u>XX</u>	<u>SX</u>	<u>T</u>	01
		Positions 8,16,24,32,40, 48,56,64	F:Female	Wiring C:Crimp Type I:IDC Type		Wire Range 28=AWG 28 30=AWG 30	Contact plating area S1=3U" Au/Tin S3=10U" Au/Tin	Packaging T:Tube	

**Solder-Type**

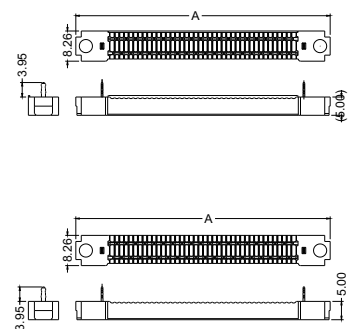
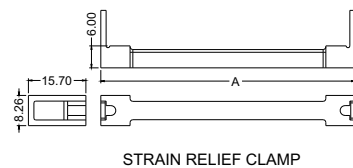
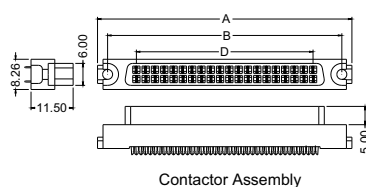


Pos	A	B	C	D	E
8	28.84	23.34	17.84	7.62	13.76
16	39.00	33.50	28.00	17.78	23.92
24	49.16	43.66	38.16	27.94	34.08
32	59.32	53.82	48.32	38.10	44.24
40	69.48	63.98	58.48	48.26	54.40
48	79.64	74.14	68.64	58.42	64.56
56	89.80	84.30	78.80	68.58	74.72
64	99.96	94.46	88.96	78.74	84.88

**IDC-Type**



Pos	A	B	D
8	28.84	23.34	7.62
16	39.00	33.50	17.78
24	49.16	43.66	27.94
32	59.32	53.82	38.10
40	69.48	63.98	48.26
48	79.64	74.14	58.42
56	89.80	84.30	68.58
64	99.96	94.46	78.74

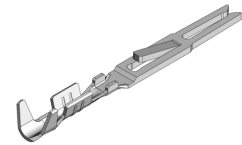


**SPECIFICATIONS**

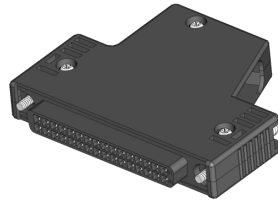
Current Rating:3.0 AMP  
 Contact Resistance:15mΩ Max.  
 Insulation Resistance: 1000MΩ Min  
 Withstand Voltage: 250V AC/Minute  
 Operation Temperature: -55°C to +105°C  
 Contact Material:Phosphor Bronze  
 Contact Plating: Au And Sn Over Ni  
 Insulation Material:PBT (UL94V-0)  
 Type:FU



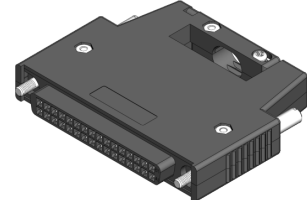
6341-2H20B01



6341-TPS00X

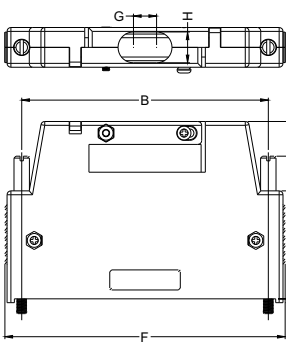


6342-32FXSXJBWA01N

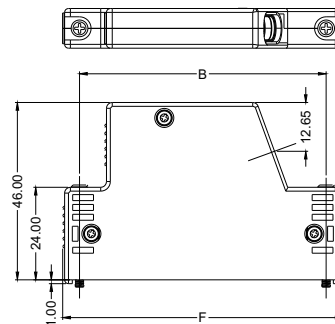


6342-XXFXSXBBWA01N

<b>6342</b>	<b>-XX</b>	<b>X</b>	<b>X</b>	<b>X</b>	<b>X</b>	<b>B</b>	<b>X</b>	<b>0</b>	<b>01</b>	<b>W</b>
Positions	F:Female	Options	Contact plating area	Shell Shield Type	Color	W:W/T Screw&NUT	Packaging	W:W/ Logo	N:W/O Logo	
8,16,24,32,40,48,56,64	M:Male	H:Solder Type L:Wound-Rotor C:Play line I:IDC Type	S0=Gold Flash/Tin S1=30U" Au/Tin S3=10U" Au/Tin S5=30U" Au/Tin	B:180° outgoing mode J: Side outgoing mode	B=Black	N:W/O Screw&NUT	0=PE A:Tray			



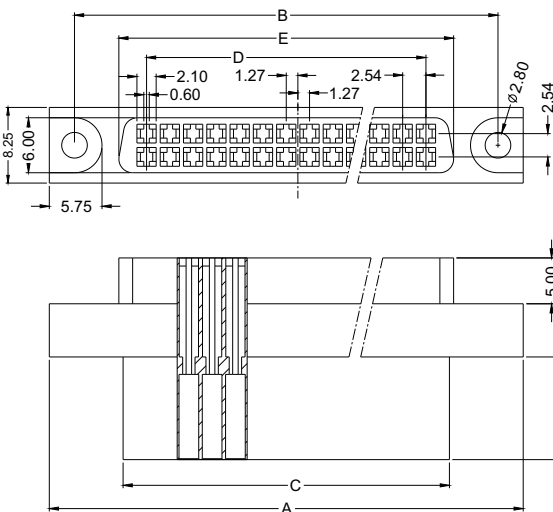
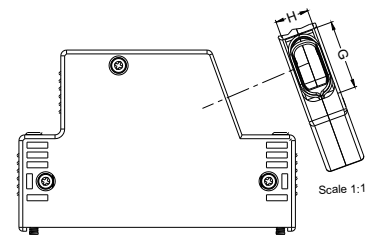
6342-XXFXSXBBWA01N



6342-32FXSXJBWA01N

8	23.34	32.08	—	5.70
16	33.50	42.24	—	5.70
24	43.66	52.40	—	8.00
32	53.82	62.56	2.00	8.00
40	63.98	72.72	6.00	8.00
48	74.14	82.88	10.00	8.00
56	84.30	93.04	14.00	8.00
64	94.46	103.20	18.00	8.00
Pos	B	F	G	H

16	33.50	42.24	12.00	7.60
24	43.66	52.40	12.00	7.60
32	53.82	62.56		
40	63.98	72.72		
48	74.14	82.88	17.90	8.70
56	84.30	93.04		
64	94.46	103.20		
Pos	B	F	G	H



6341-2H20B01

Pos	A	B	C	D	E
8	28.84	23.34	12.74	7.62	13.76
16	39.00	33.50	22.90	17.78	23.92
24	49.16	43.66	33.06	27.94	27.64
32	59.32	53.82	43.22	38.10	34.08
40	69.48	63.98	53.38	48.26	54.40
48	79.64	74.14	63.54	58.42	64.56
56	89.80	84.30	73.70	68.58	74.72
64	99.96	94.46	83.86	78.74	84.88

6341-TPS00X

