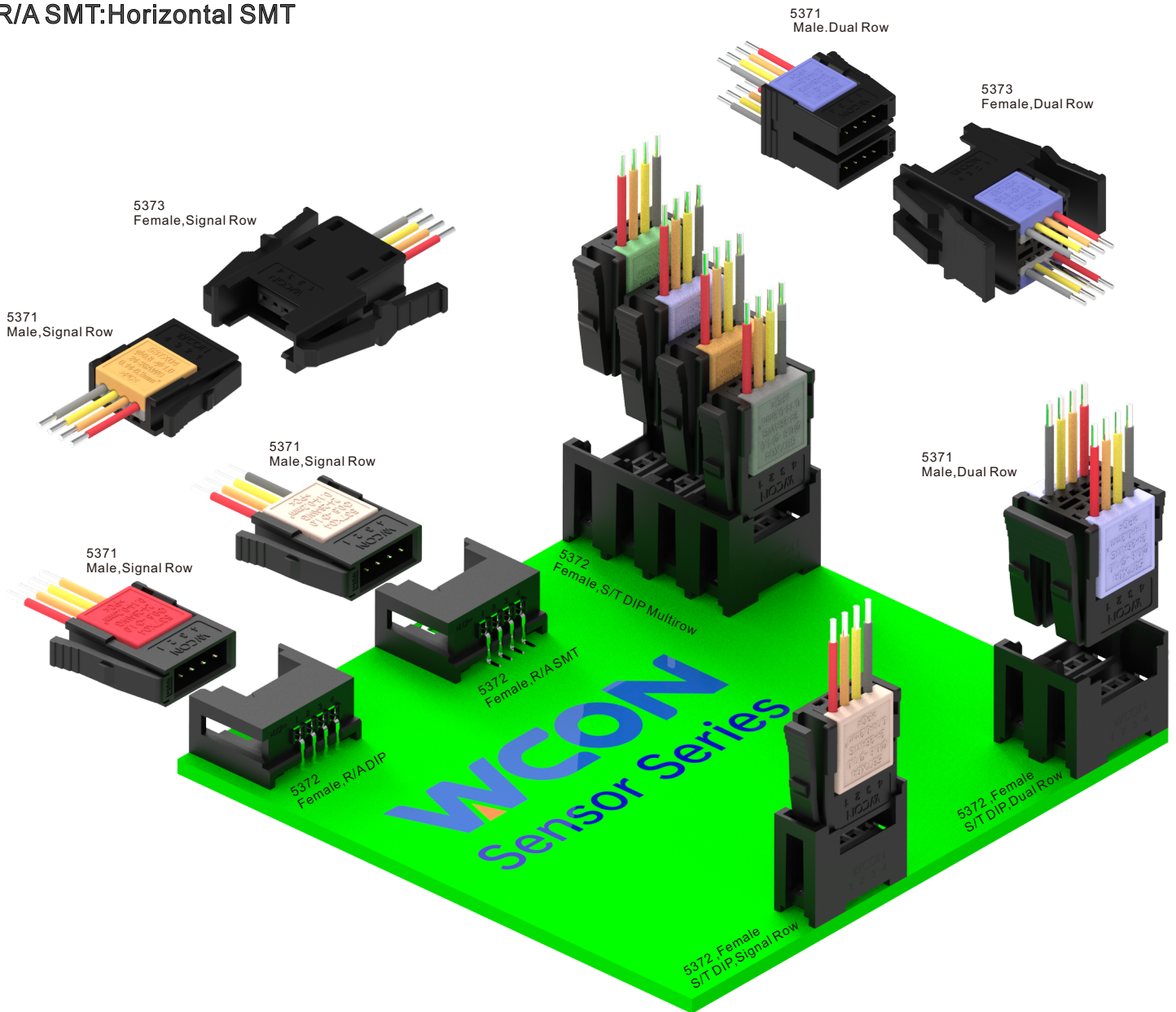


Board-Mounting
 S/T DIP:Vertical T/H
 R/A DIP:Horizontal T/H
 R/A SMT:Horizontal SMT





5371 Series, Sensor, 2.0 mm (0.079"), Male, IDC Type

SPECIFICATIONS

Current Rating: 3.0AMP
 Contact Resistance: 10mΩ Max
 Insulation Resistance: 1000MΩ Min
 Withstand Voltage: 1000V AC/Minute
 500V DC/Minute
 Operation Temperature: -20°C to +85°C
 Contact Material: Copper Alloy
 Contact Plating: Sn Over Ni
 Insulator Material: Polyester (UL94V-0)
 Standard: PBT
 Type: SM



5371-103SXR08W01W



5371-104SXU12W01W



5371-203SXG16W01W



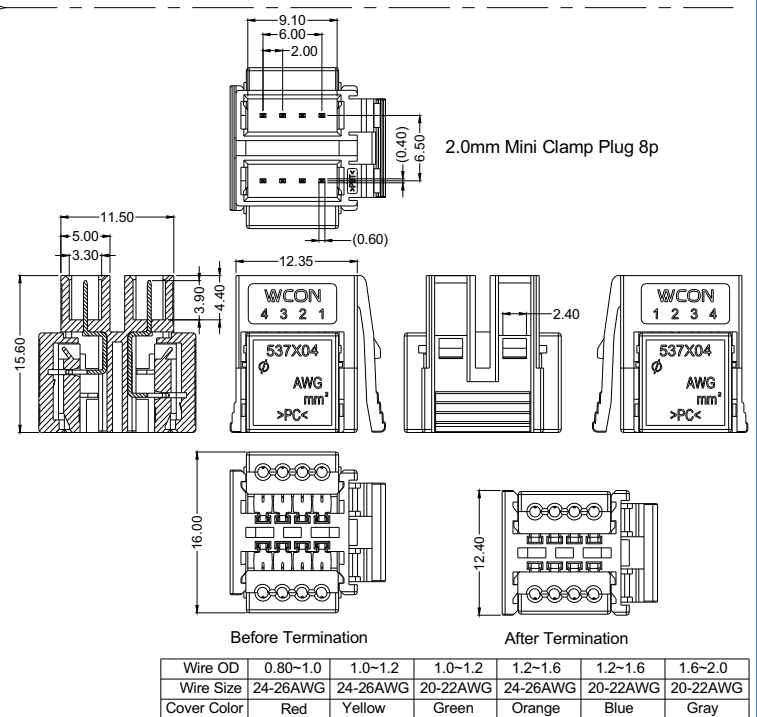
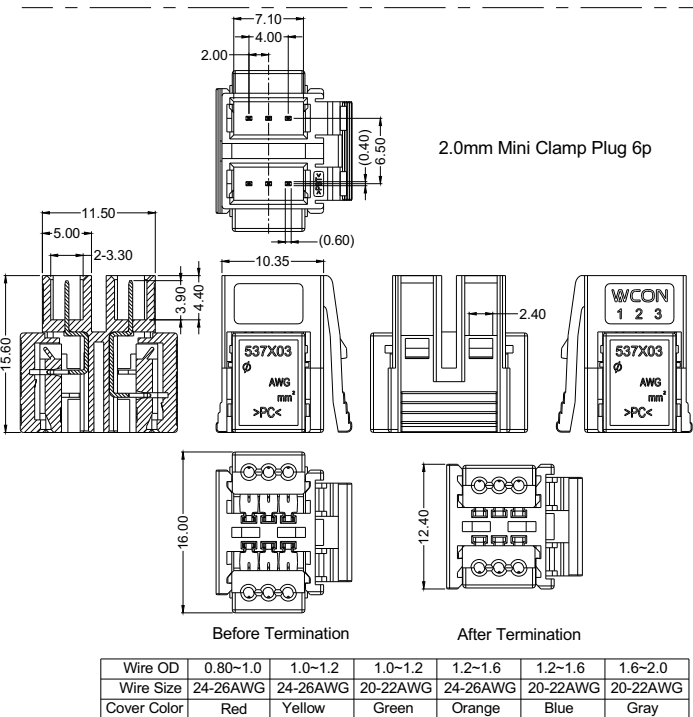
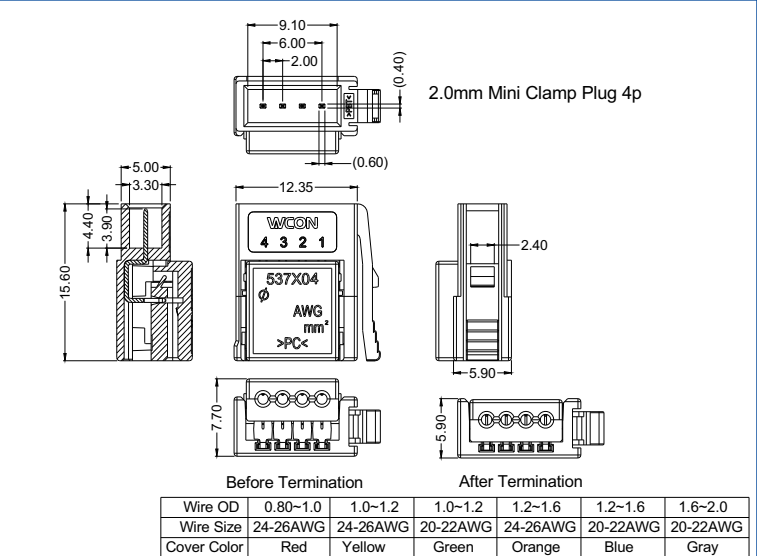
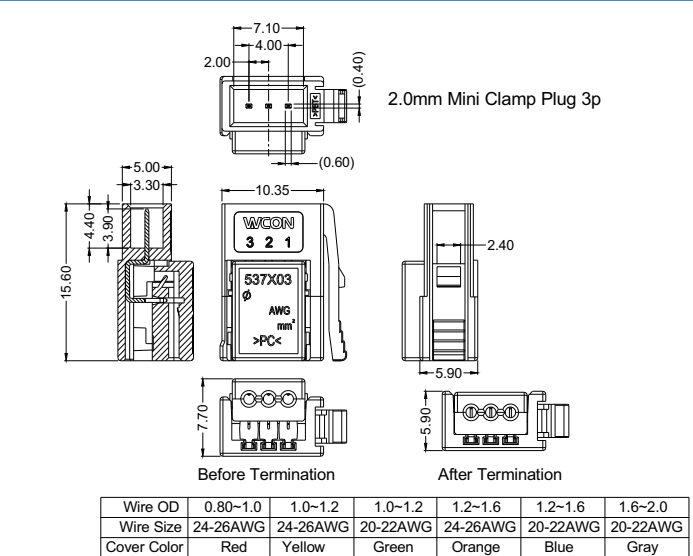
5371-204SXO12W01W



5373 Series

Mating

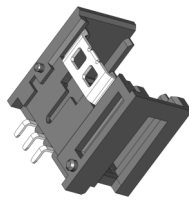
5371 -	X	XX	SX	XXX	X	01	X
Rows	1: Single Row 2: Dual Row	Positions 3, 4	Contact plating area S1=3u"Au/Tin S3=10u"Au/Tin S5=30u"Au/Tin	Color And Wire Range U12=Blue G16=Gray E10=Green O12=Orange R08=Red Y10=Yellow	W: With lock catch N: Without lock catch		W: W/ Logo N: W/O Logo



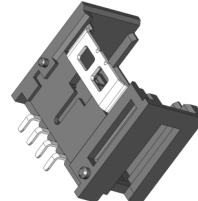


SPECIFICATIONS

Current Rating: 3.0AMP
 Contact Resistance: 10mΩ Max
 Insulation Resistance: 1000MΩ Min
 Withstand Voltage: 1000V AC/Minute
 500V DC/Minute
 Operation Temperature: -20°C to +85°C
 Contact Material: Copper Alloy
 Contact Plating: Sn Over Ni
 Insulator Material: Polyester (UL94V-0)
 Standard: LCP
 Type: SM

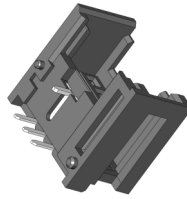


5372-1Z03GXB01W

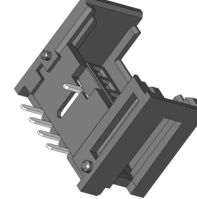


5372-1Z04GXB01W

5371 Series

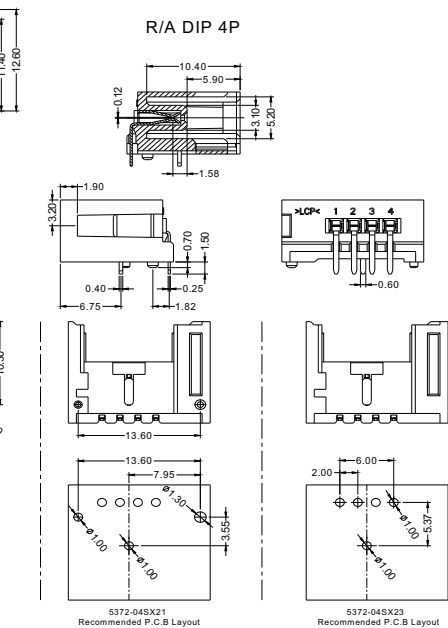
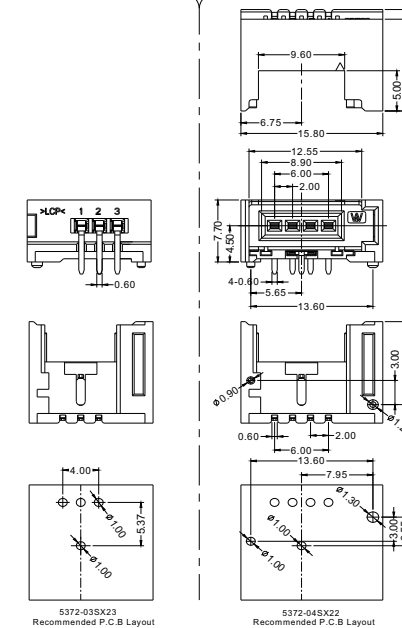
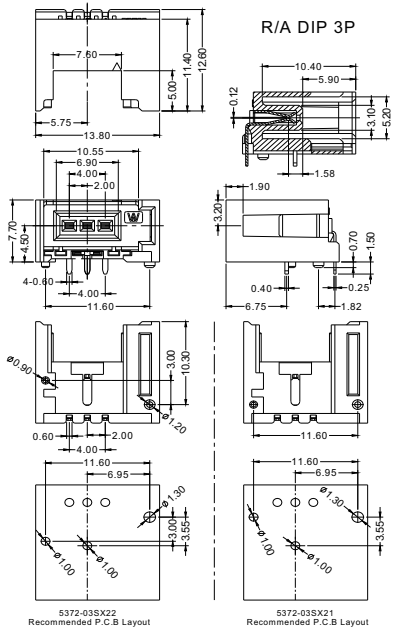
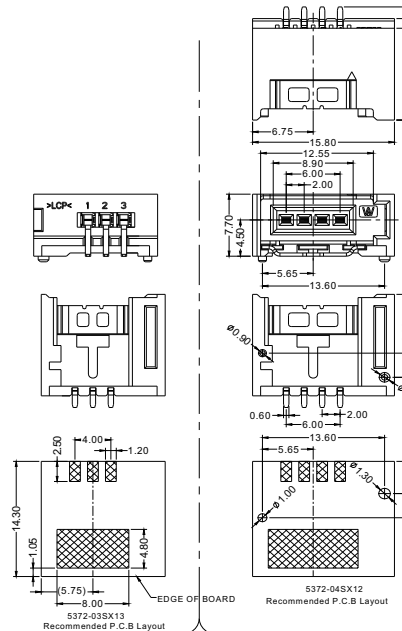
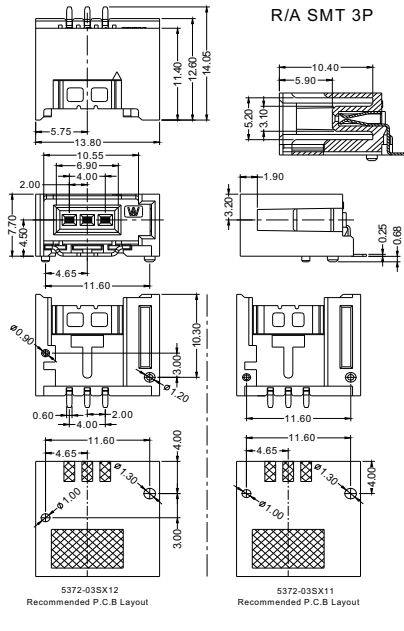


5372-1R03GXB01W



5372-1R04GXB01W

5372 -	X	X	XX	XXX	X	X	01	X
Rows	1: Single Row 2: Dual Row	Board-Mounting R=R/A DIP Z=R/A SMT	Positions Per Row 3,4	Contact plating area G2=5u"Au/Tin G4=15u"Au/Tin G5=30u"Au/Tin	Color B: Black T: Natural	Packing T: Tube R: Tape & Reel + Cap P: Tube + Cap		W: W/ Logo N: W/O Logo

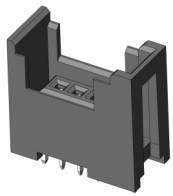




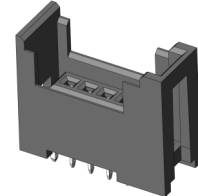
5372 Series, Sensor, 2.0 mm (0.079"), Female, S/T DIP

SPECIFICATIONS

Current Rating: 3.0AMP
 Contact Resistance: 10mΩ Max
 Insulation Resistance: 1000MΩ Min
 Withstand Voltage: 1000V AC/Minute
 500V DC/Minute
 Operation Temperature: -20°C to +85°C
 Contact Material: Copper Alloy
 Contact Plating: Sn Over Ni
 Insulator Material: Polyester (UL94V-0)
 Standard: LCP
 Type: SM

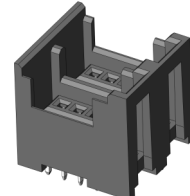
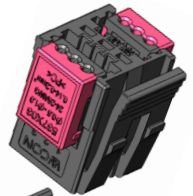


5372-1S03SXB01W

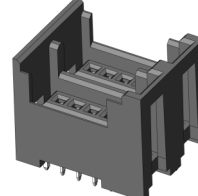


5372-1S04SXB01W

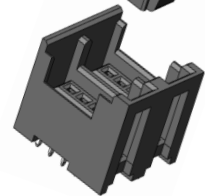
5371 Series



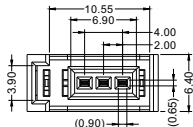
5372-2S03SXB01W



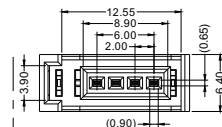
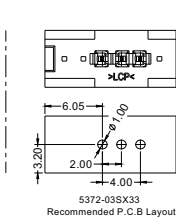
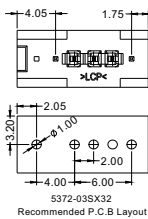
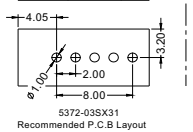
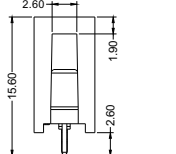
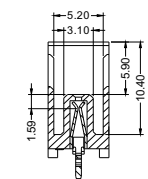
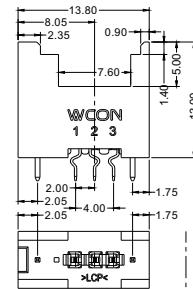
5372-2S04SXB01W



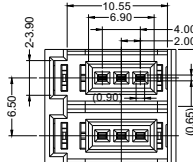
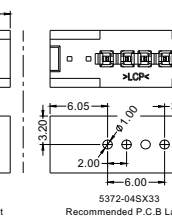
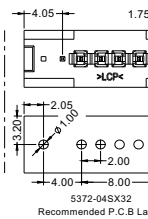
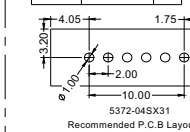
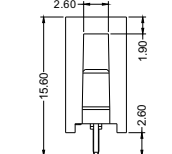
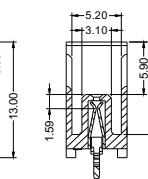
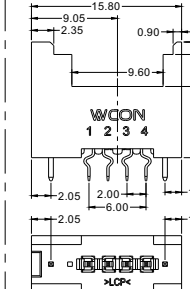
5372 - X	X	XX	XXX	X	X	01	X
Rows 1: Single Row 2: Dual Row	Board-Mounting Positions S: S/T DIP	Positions Per Row 3, 4	Contact plating area S2=5u"Au/Tin S4=15u"Au/Tin S5=30u"Au/Tin	Color B: Black T: Natural	Packing T: Tube R: Tape & Reel + Cap P: Tube + Cap		W: W/ Logo N: W/O Logo



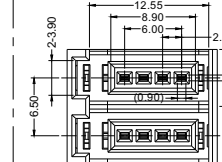
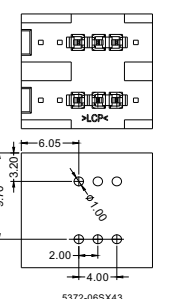
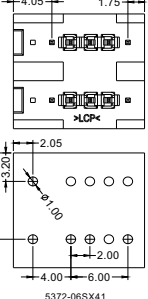
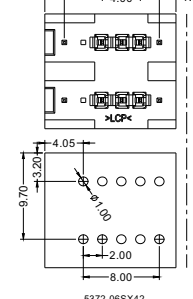
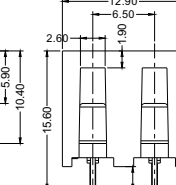
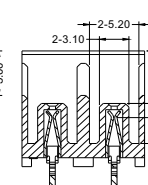
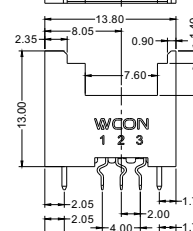
S/T DIP 3P



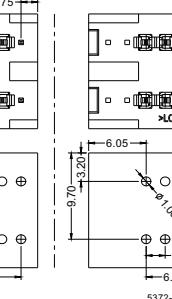
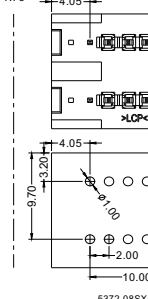
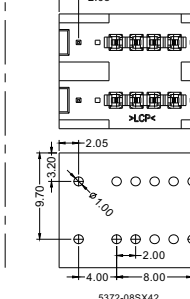
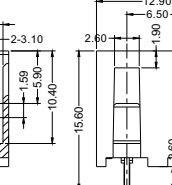
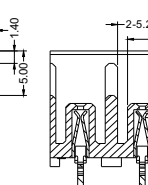
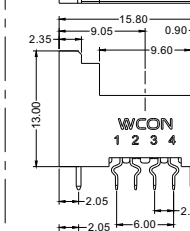
S/T DIP 4P



Double Row S/T DIP 6P

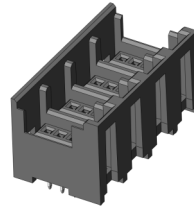


Double Row S/T DIP 8P

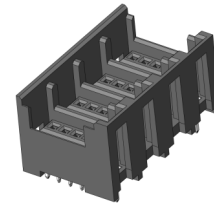


SPECIFICATIONS

Current Rating: 3.0AMP
 Contact Resistance: 10mΩ Max
 Insulation Resistance: 1000MΩ Min
 Withstand Voltage: 1000V AC/Minute
 500V DC/Minute
 Operation Temperature: -20°C to +85°C
 Contact Material: Copper Alloy
 Contact Plating: Sn Over Ni
 Insulator Material: Polyester (UL94V-0)
 Standard: LCP
 Type: SM

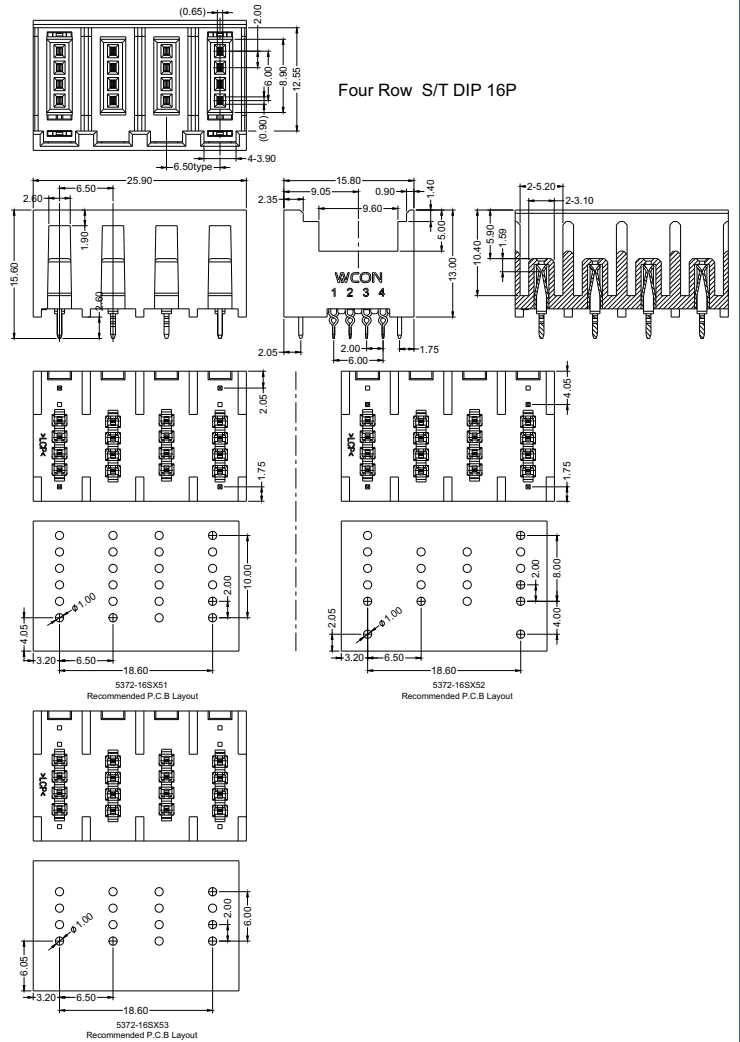
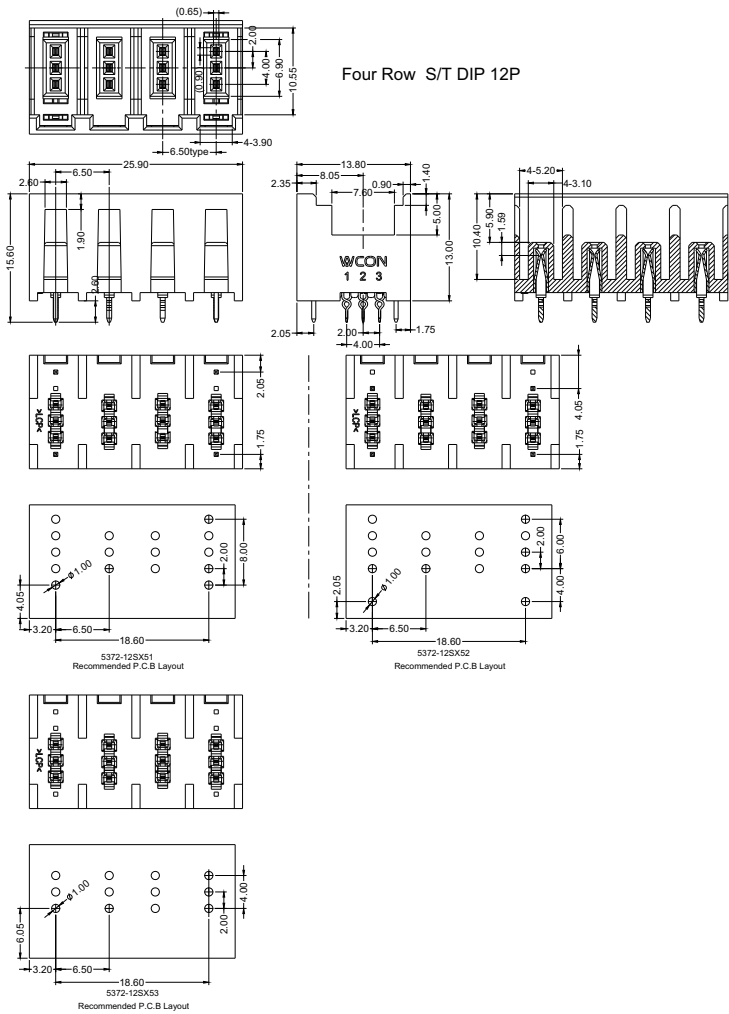


5372-4S03GXBX01W



5372-4S04GXBX01W

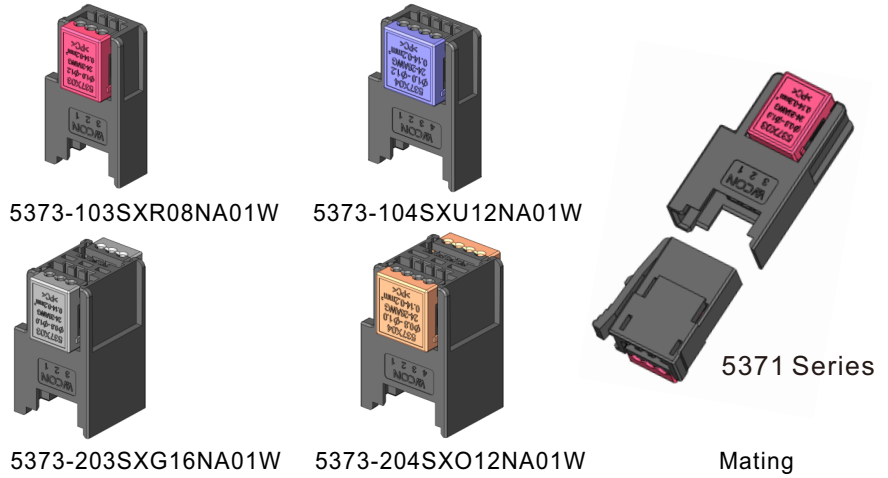
5372 - X	XX	X	XXX	X	X	01	X
Rows 4: Four Row	Board-Mounting S: S/T DIP	Positions Per Row 3, 4	Contact plating area S2=5u"Au/Tin S4=15u"Au/Tin S5=30u"Au/Tin	Color B: Black T: Natural	Packing T: Tube R: Tape & Reel + Cap P: Tube + Cap		W: W/ Logo N: W/O Logo





SPECIFICATIONS

Current Rating: 3.0AMP
 Contact Resistance: 10mΩ Max
 Insulation Resistance: 1000MΩ Min
 Withstand Voltage: 1000V AC/Minute
 500V DC/Minute
 Operation Temperature: -20°C to +85°C
 Contact Material: Copper Alloy
 Contact Plating: Sn Over Ni
 Insulator Material: Polyester (UL94V-0)
 Standard: LCP
 Type: SM



5373 - X XX SX XXX X A 01 X

Rows
 1: Single Row
 2: Dual Row

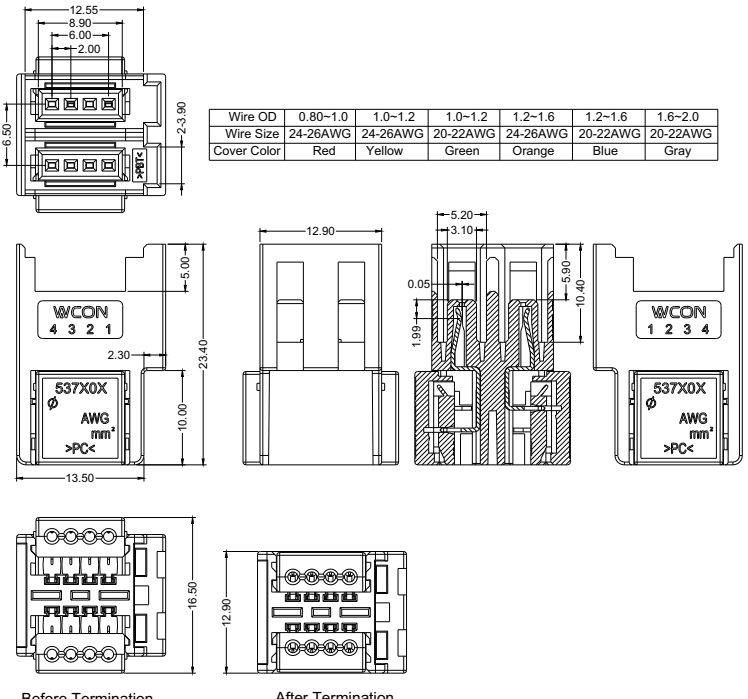
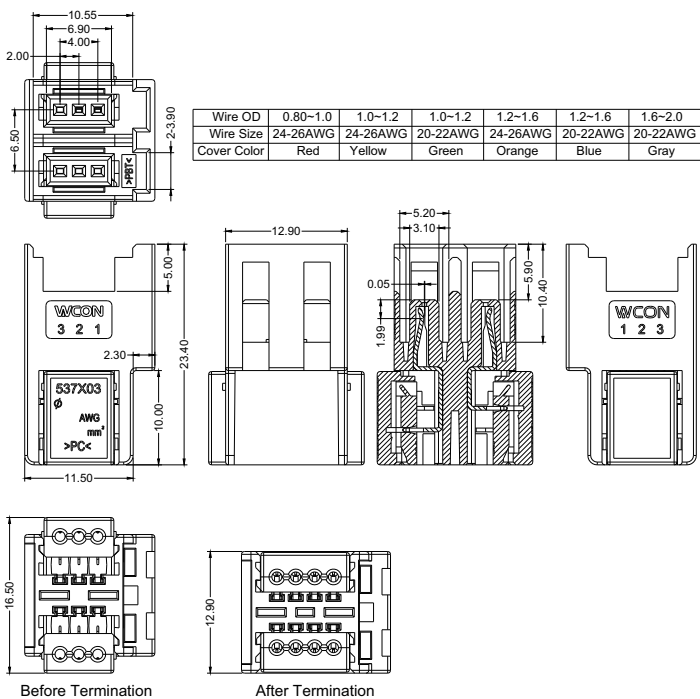
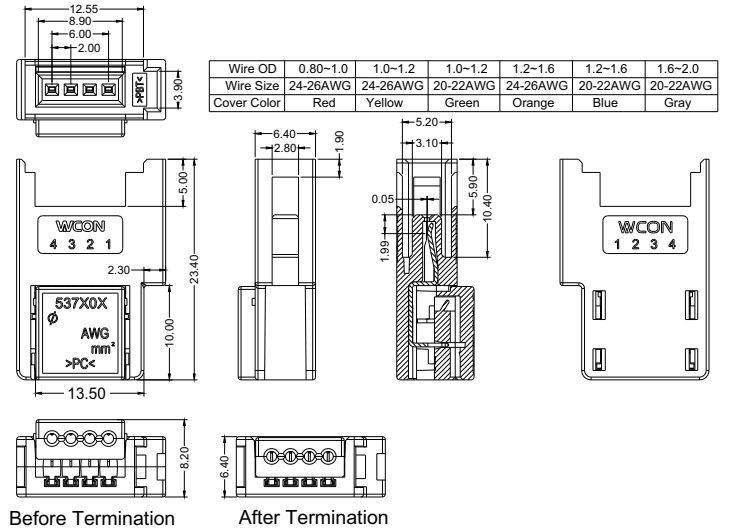
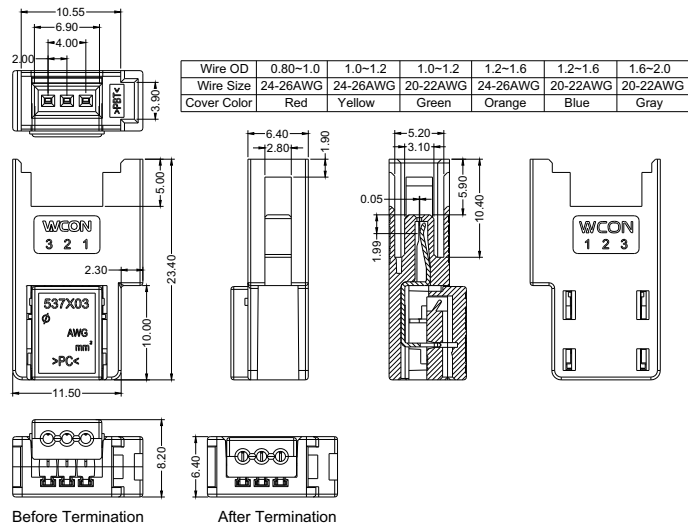
Positsoins
 4

Contact plating area
 S1=3u"Gold/Tin
 S3=10u"Gold/Tin
 S5=30u"Gold/Tin

Color And Wire Range
 U12=Blue G16=Gray
 E10=Green O12=Orange
 R08=Red Y10=Yellow

W: With lock catch
 N: Without lock catch

W: W/ Logo
 N: W/O Logo





SPECIFICATIONS

Current Rating: 3.0AMP
 Contact Resistance: 10mΩ Max
 Insulation Resistance: 1000MΩ Min
 Withstand Voltage: 1000V AC/Minute
 500V DC/Minute
 Operation Temperature: -20°C to +85°C
 Contact Material: Copper Alloy
 Contact Plating: Sn Over Ni
 Insulator Material: Polyester (UL94V-0)
 Standard: LCP
 Type: SM



5373 - X XX SX XXX X A 01 X

Rows
 1: Single Row
 2: Dual Row

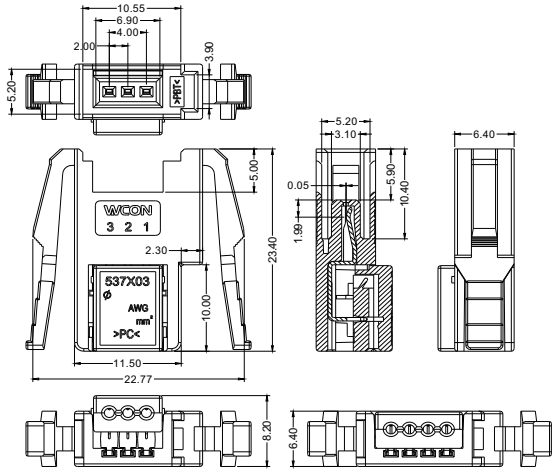
Positoins
 4

Contact plating area
 S1=3u"Gold/Tin
 S3=10u"Gold/Tin
 S5=30u"Gold/Tin

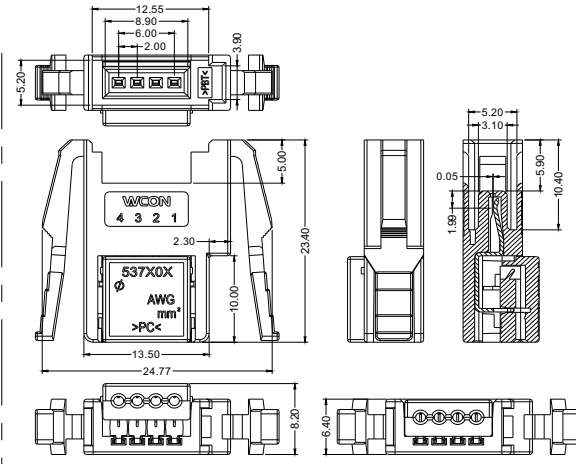
Color And Wire Range
 U12=Blue G16=Gray
 E10=Green O12=Orange
 R08=Red Y10=Yellow

W: With lock catch
 N: Without lock catch

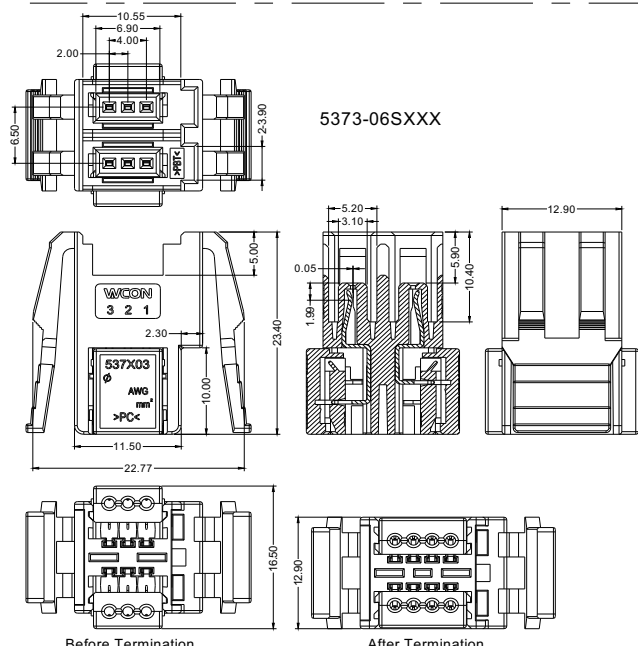
W: W/ Logo
 N: W/O Logo



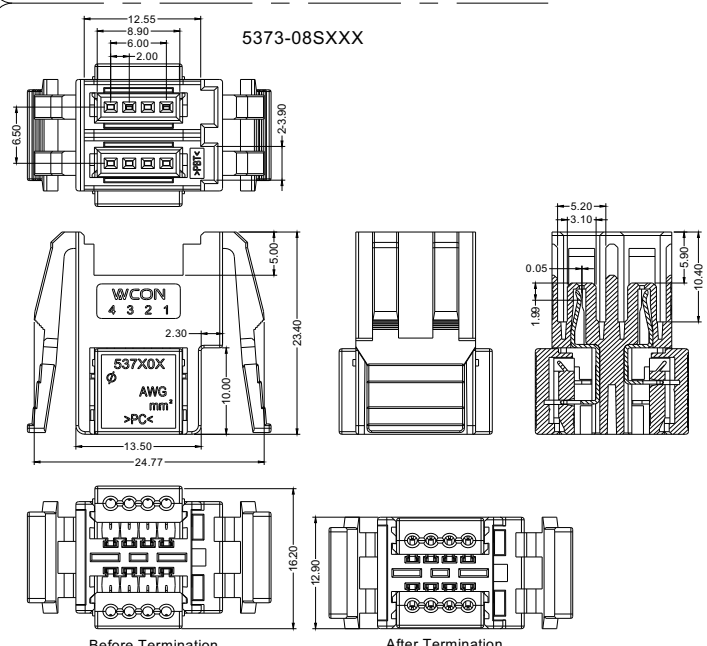
	Before Termination		After Termination			
Wire OD	0.80~1.0	1.0~1.2	1.0~1.2	1.2~1.6	1.2~1.6	1.6~2.0
Wire Size	24-26AWG	24-26AWG	20-22AWG	24-26AWG	20-22AWG	20-22AWG
Cover Color	Red	Yellow	Green	Orange	Blue	Gray



	Before Termination		After Termination			
Wire OD	0.80~1.0	1.0~1.2	1.0~1.2	1.2~1.6	1.2~1.6	1.6~2.0
Wire Size	24-26AWG	24-26AWG	20-22AWG	24-26AWG	20-22AWG	20-22AWG
Cover Color	Red	Yellow	Green	Orange	Blue	Gray



	Before Termination		After Termination			
Wire OD	0.80~1.0	1.0~1.2	1.0~1.2	1.2~1.6	1.2~1.6	1.6~2.0
Wire Size	24-26AWG	24-26AWG	20-22AWG	24-26AWG	20-22AWG	20-22AWG
Cover Color	Red	Yellow	Green	Orange	Blue	Gray

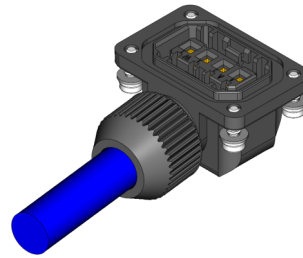


	Before Termination		After Termination			
Wire OD	0.80~1.0	1.0~1.2	1.0~1.2	1.2~1.6	1.2~1.6	1.6~2.0
Wire Size	24-26AWG	24-26AWG	20-22AWG	24-26AWG	20-22AWG	20-22AWG
Cover Color	Red	Yellow	Green	Orange	Blue	Gray

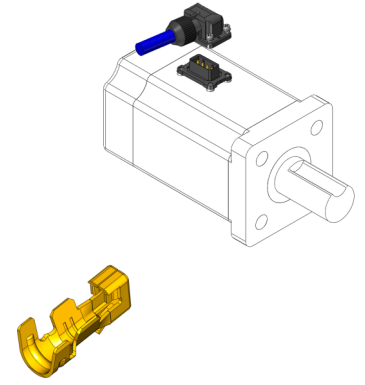


SPECIFICATIONS

Current Rating: 7.0AMP
 Voltage Rating :200V AC(RMS)
 Contact Resistance: 30mΩ Max
 Insulation Resistance: 1000MΩ Min
 Withstand Voltage: 1800V AC/Minute
 Operation Temperature: -20°C to +130°C
 Contact Material: Copper Alloy
 Contact plating: Au over Ni
 Insulator Material: Thermoplastic UL94V-0
 WIRE SIZE RANGE: 18~20AWG
 Type:JE

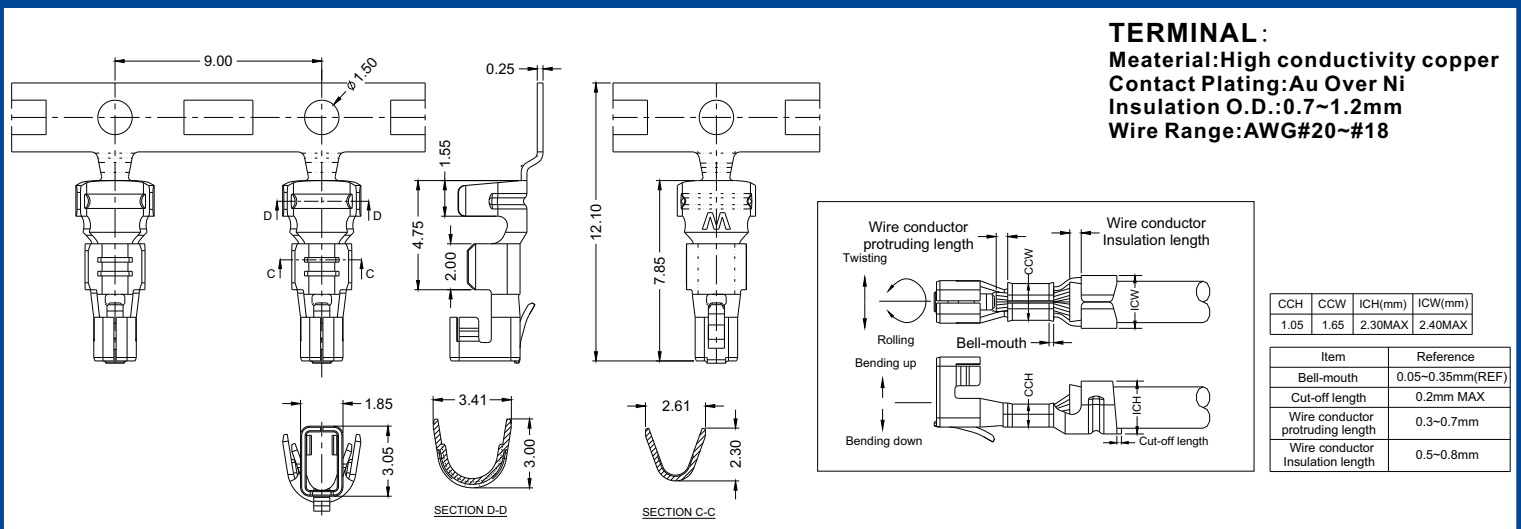
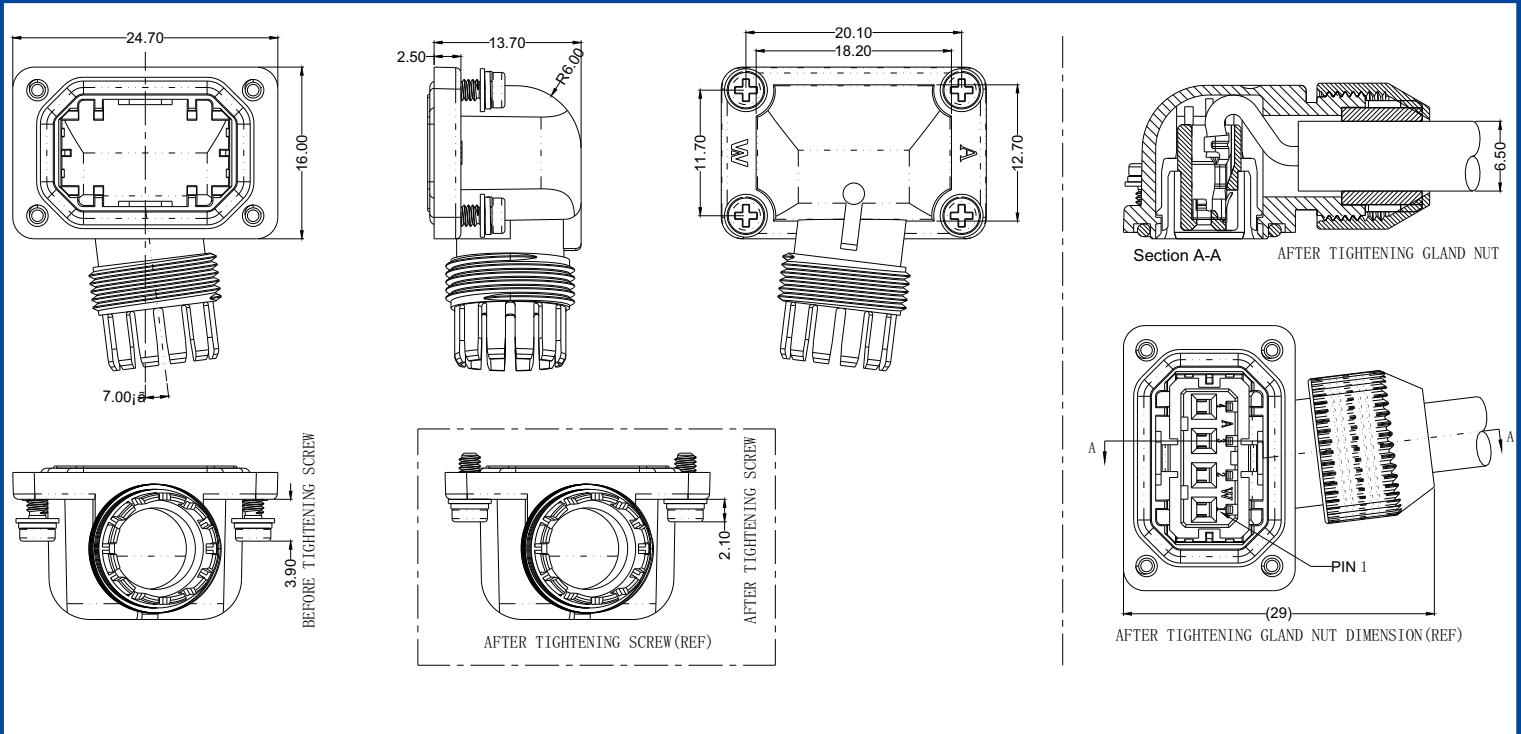


MJE04P-32041801(W)



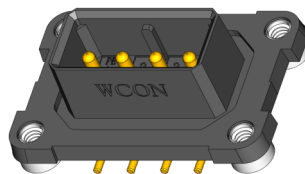
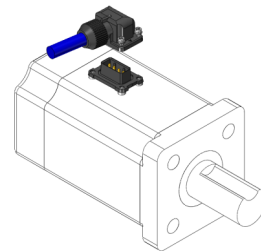
MJE04P-FTCXX01

MJE04 P -	32	04	18	01	W
P:Power port	Pitch 32=3.2mm	Positoins 4	Applicable Wire 18=18-20AWG	Key Code 01:Type-1 02:Type-2	W=W/ LOGO



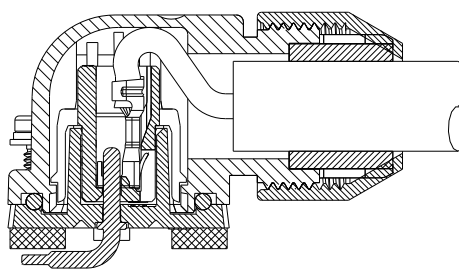
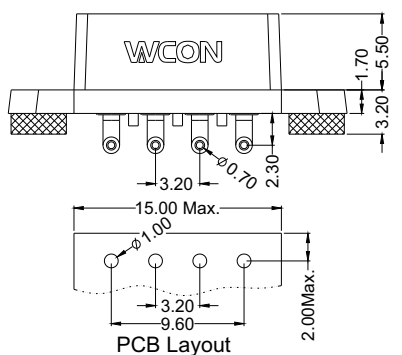
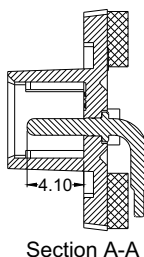
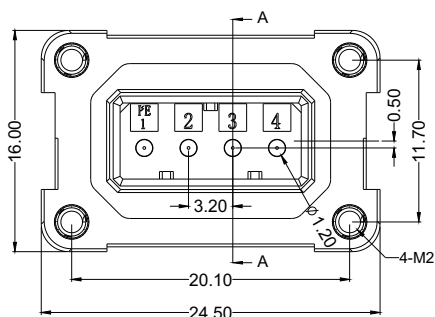
SPECIFICATIONS

Current Rating: 7.0AMP
 Voltage Rating :200V AC(RMS)
 Contact Resistance: 30mΩ Max
 Insulation Resistance: 1000MΩ Min
 Withstand Voltage: 1800V AC/Minute
 Operation Temperature: -20°C to +130°C
 Contact Material: Copper Alloy
 Contact plating: Au over Ni
 Insulator Material: Thermoplastic UL94V-0
 Type:JE



MJE04P-3204RSX01(W)

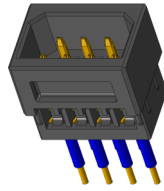
MJE04	P	-	32		04		R		SX		01		W
	P:Power port		Pitch 32=3.2mm		Positoinis 4		Board-Mounting R:R/A DIP		Contact plating area S0=Gold Flash/Tin S3=10U" Au/Tin S4=15U" Au/Tin S5=30U" Au/Tin		Key Code 01:Type-1 02:Type-2		W=W/ LOGO



PLUG AND RECEPTACLE MATED AFTER TIGHTENING GLAND NUT

SPECIFICATIONS

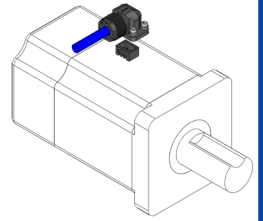
Current Rating: 1.0AMP
 Voltage Rating :100V AC(RMS)
 Contact Resistance: 30mΩ Max
 Insulation Resistance: 1000MΩ Min
 Withstand Voltage: 500V AC/Minute
 Operation Temperature: -40°C to +125°C
 Contact Material: Copper Alloy
 Contact plating: Au over Ni
 Insulator Material: Thermoplastic UL94V-0
 WIRE SIZE RANGE:30~22AWG
 Type:JE



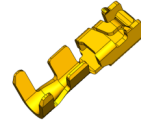
MJE06E-2007A02(W)



M006E-MTBXX01/2

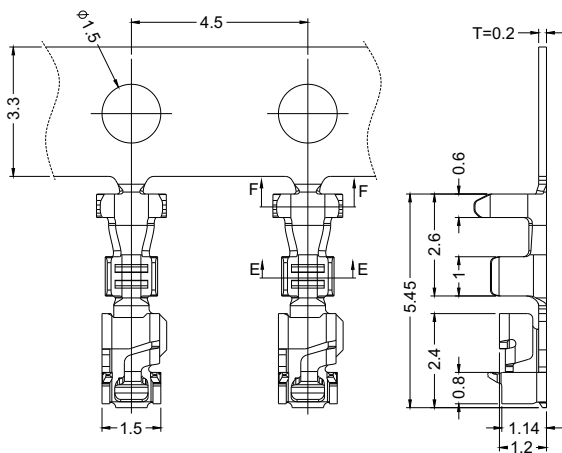
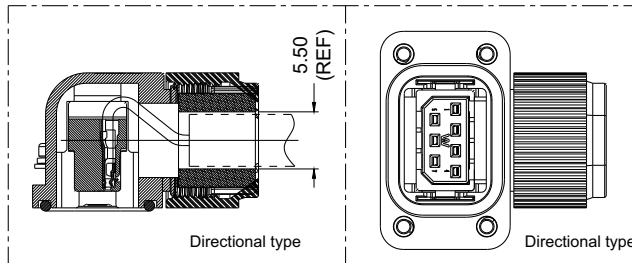
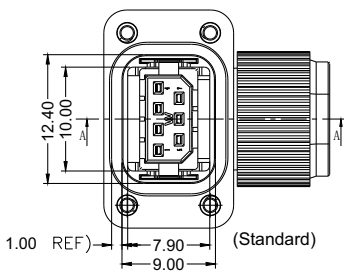
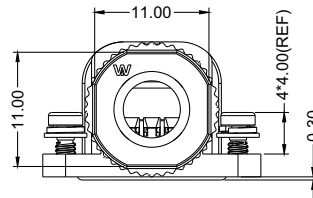
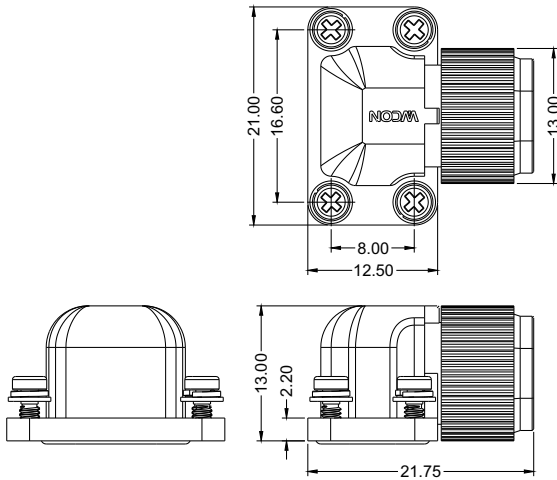


MJE06E-2007XX01(W)

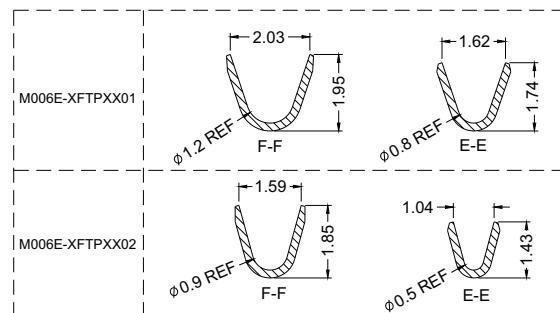


M006E-XFTPXX01/2

MJE06	E	-	20	07	22	01	W
	E:Encode port		Pitch 20=2.0mm	Positoinis 7	Applicable Wire 22=26-22AWG 30=30-26AWG	Key Code 01:Type-1 02:Type-2	W=W/ LOGO



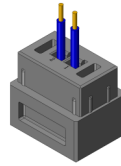
TERMINAL :
 Meaterial:High conductivity copper
 Contact Plating:Au Over Ni
 Insulation O.D.:0.7~1.2mm
 Wire Range:AWG#30~#22





SPECIFICATIONS

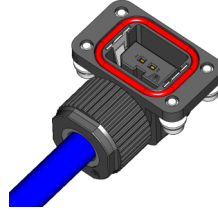
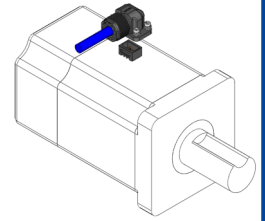
Current Rating: 1.0AMP
 Voltage Rating : 100V AC(RMS)
 Contact Resistance: 30mΩ Max
 Insulation Resistance: 1000MΩ Min
 Withstand Voltage: 500V AC/Minute
 Operation Temperature: -40°C to +125°C
 Contact Material: Copper Alloy
 Contact plating: Au over Ni
 Insulator Material: Thermoplastic UL94V-0
 WIRE SIZE RANGE: 30~22AWG
 Type: JE



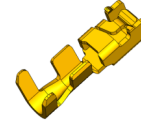
MJE06B-2002A01(W)



M006E-MTBXX01 / 2



MJE06B-2002XX02(W)



M006E-XFTPXX01 / 2

MJE06 B - 20

B: Brake port
 Pitch
 20=2.0mm

02

Positoins
 2

18

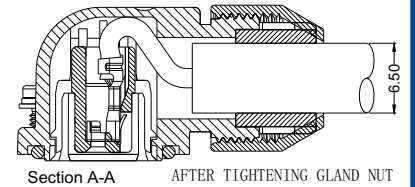
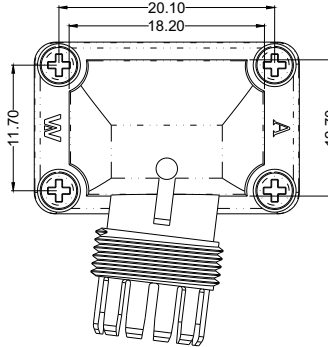
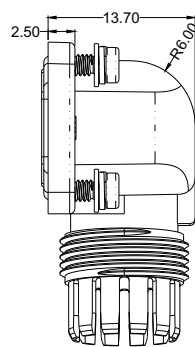
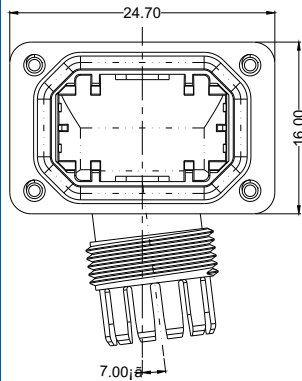
Applicable Wire
 18=18-20AWG

02

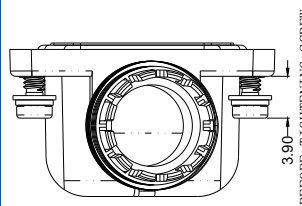
Key Code
 01: Type-1
 02: Type-2

W

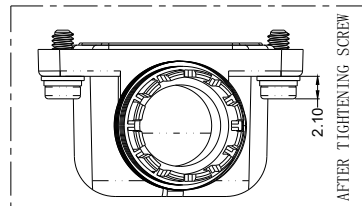
W=W/ LOGO



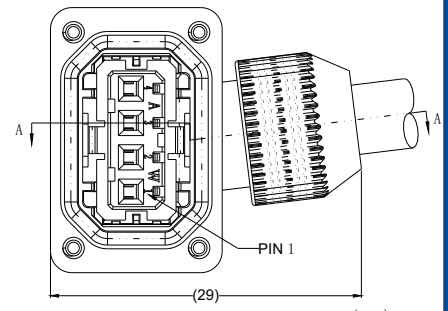
Section A-A AFTER TIGHTENING GLAND NUT



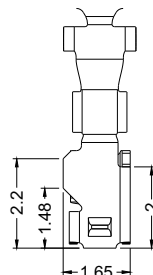
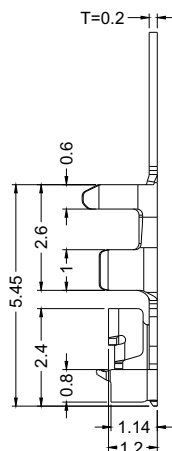
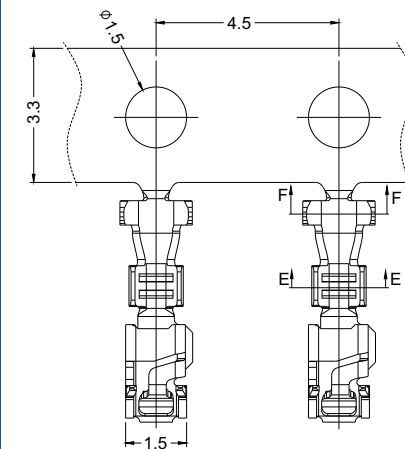
BEFORE TIGHTENING SCREW



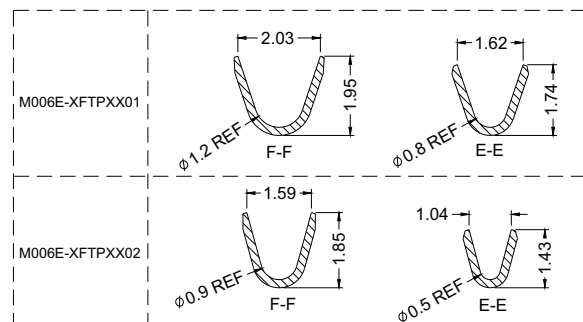
AFTER TIGHTENING SCREW (REF)



AFTER TIGHTENING GLAND NUT DIMENSION (REF)

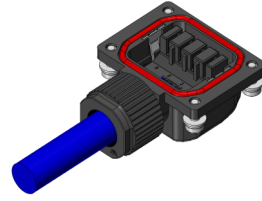


TERMINAL:
 Material: High conductivity copper
 Contact Plating: Au Over Ni
 Insulation O.D.: 0.7~1.2mm
 Wire Range: AWG#30~#22



SPECIFICATIONS

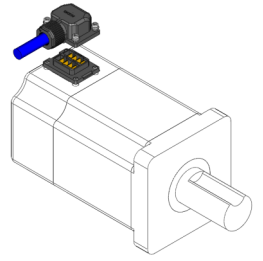
Current Rating: 7.0AMP
 Voltage Rating :200V AC(RMS)
 Contact Resistance: 30mΩ Max
 Insulation Resistance: 1000MΩ Min
 Withstand Voltage: 1500V AC/Minute
 Operation Temperature: -40°C to +125°C
 Contact Material: Superconducting Copper
 Contact plating: Au over Ni
 Insulator Material: Thermoplastic UL94V-0
WIRE SIZE RANGE: 22~18AWG
 Type: JE



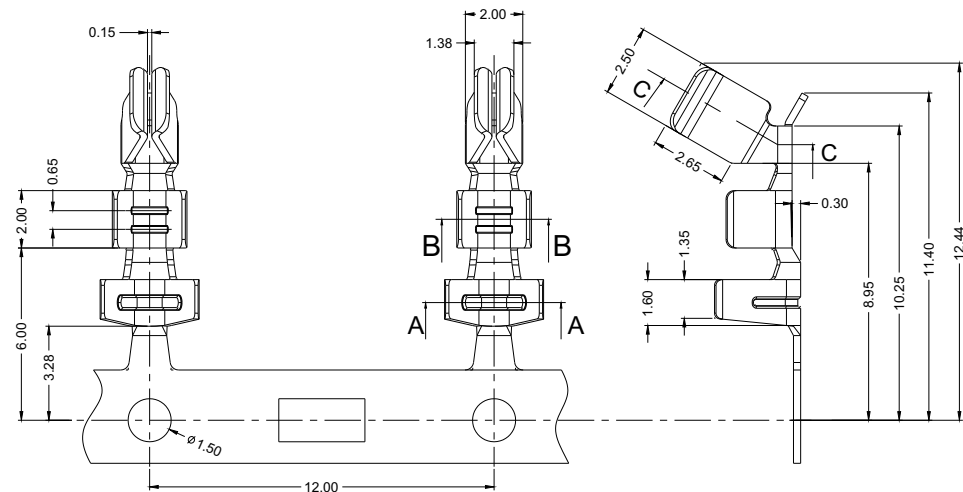
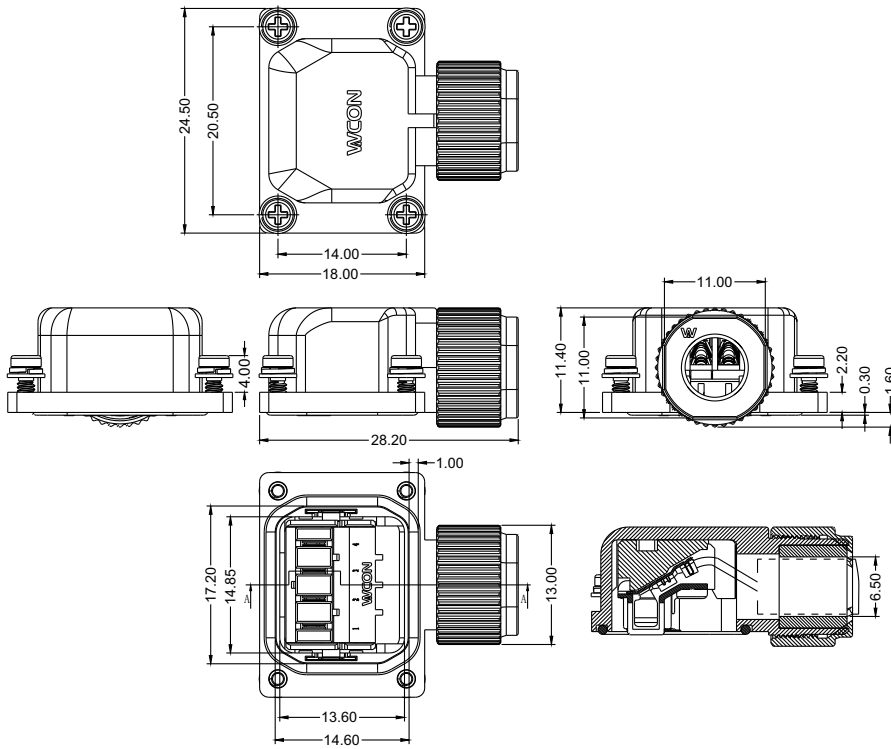
MJE06P-3004XX0X(W)



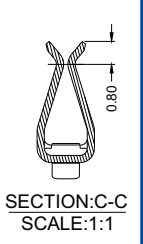
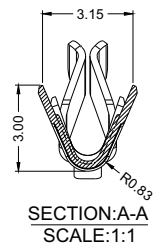
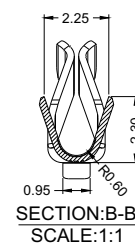
BMJE06B-SX001



MJE06	P	-	30	04	18	01	W
	P: Power port		Pitch 30: 3.0mm	Positions 4	Applicable Wire 18=18-20AWG	Key Code 01: Type-1 02: Type-2	W=W/ LOGO

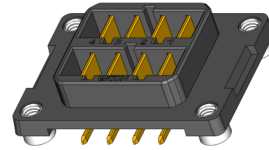
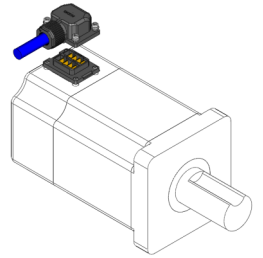


TERMINAL :
 Material: High conductivity copper
 Contact Plating: Au Over Ni
 Insulation O.D.: 0.85mm (Max.)
 Wire Range: AWG#22~#18



SPECIFICATIONS

Current Rating: 7.0AMP
 Voltage Rating :200V AC(RMS)
 Contact Resistance: 20mΩ Max
 Insulation Resistance: 1000MΩ Min
 Withstand Voltage: 1500V AC/Minute
 Operation Temperature: -40°C to +125°C
 Contact Material: Phosphor Bronze
 Contact plating: Au over Ni
 Insulator Material: Thermoplastic UL94V-0
 Type: JE



MJE06P-3004RXX01(W)

MJE06	P	-	30	04	R	SX	01	W
P: Power port		Pitch 30:3.0mm		Positoins 4	Board-Mounting R:R/A DIP	Contact plating area S0=Gold Flash/Tin S3=10U" Au/Tin S4=15U" Au/Tin S5=30U" Au/Tin	Key Code 01: Type-1 02: Type-2	W=W/ LOGO

