

HSF

NOTES:

Rated Current: 5.0AMP.(20°C,2*2P-2*15P)

3.0AMP.(20°C,2*16P-2*40P) $\triangle A3$

Contact Resistance: 20m Ω Max.

Withstand Voltage: 1000V AC/DC

Insulation Resistance: 1000M Ω Min.

Operation Temperature: -40°C to +125°C(Gold Plating)

-40°C to +105°C(Tin Plating) $\triangle A3$

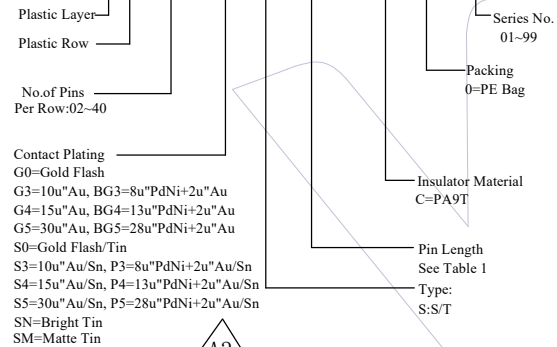
Contact Material: Copper Alloy

Contact Plating: Au or Sn Over 30u" Min Ni $\triangle A2$ $\triangle A3$

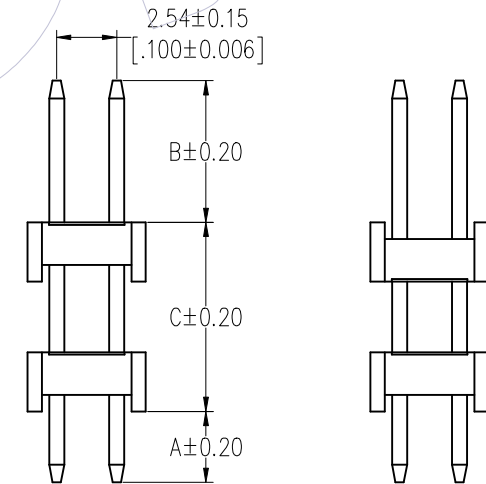
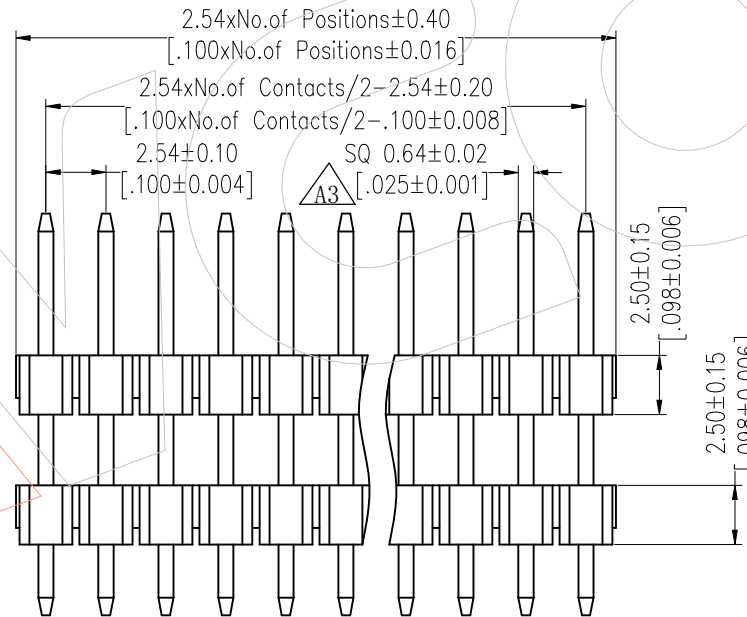
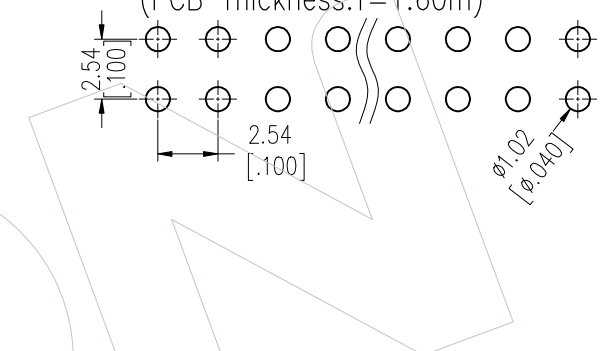
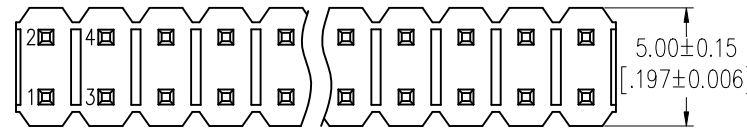
Insulator Material: PA9T+G.F UL94V-0 BK $\triangle A2$ $\triangle A3$

Ordering Information

1125-2 2 XX XX S XXX C X XX



Recommended P.C.B Layout (Top Side)
(PCB BOARD TOLERANCE ± 0.05)
(PCB Thickness: $T=1.60m$)



TYPE 1

TYPE 2

A3	2025/05/26	Standardization Drawing	CP	OPERATION	DRAW	DATE	SCALE	Fit	PART NO. 1125-22XXXXXXC0XX $\triangle A1$ $\triangle A2$
A2	2018/06/02	Cancel PBT & Modify P/N	XSR	x.x ±0.40	CP	2018/06/02	UNIT	mm	
A1	2018/01/22	Modify P/N	-----	x.xx ±0.25	CHECK	DATE	SIZE	A4	TITLE: PH2.54 DUAL ROW DOUBLE PLASTIC 180° H=2.5
A0	2012/05/28	NEW	-----	x.xxx ±0.15	TANG	2018/06/02	SHEET	1/3	
REV	DATE	MODIFICATION DESCRIPTION	CHANGE	Angle ± 3°	APPROVE	DATE	PROJ.	Customer NO.	
				DIM TOL	Steven Zhao	2018/06/02			

WCON
Http: www.wcon.com

WCON-Dongguan Tel: +86 769 85358920 Fax: +86 769 85358915 E-mail: sales@wcon.com
WCON-Kunshan Tel: +86 512 57468408 Fax: +86 512 57468468 E-mail: salesks@wcon.com

HSF

Packing:

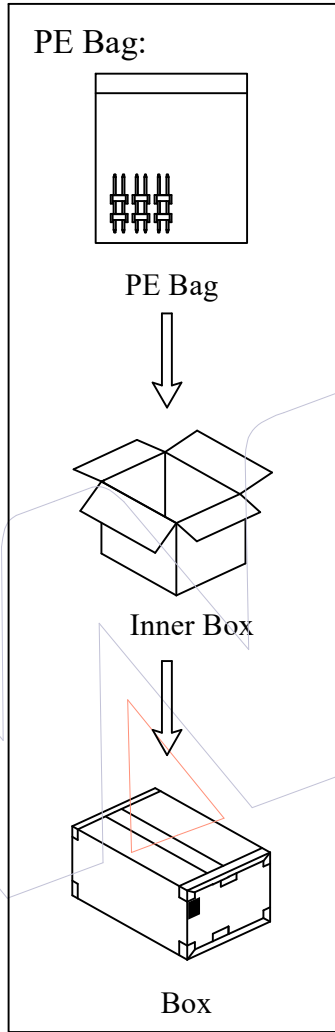


Table 1 $\triangle A3$

Item	L	C	A	B	Mating
Standard	13.0	6.5	3.0	3.5	2135/2150T/2157
	13.5			4.0	2145/2150
	14.5			5.0	2168T/2171T
	15.3	5.84		2171/2185X	
	13.5	7.0		3.5	2135/2150T/2157
	14.0			4.0	2145/2150
	15.0			5.0	2168T/2171T
	15.8			5.84	2171/2185X
	14.5	8.0		3.5	2135/2150T/2157
	15.0			4.0	2145/2150
	16.0			5.0	2168T/2171T
	16.8	9.0		5.84	2171/2185X
	15.5			3.5	2135/2150T/2157
	16.0			4.0	2145/2150
	17.0			5.0	2168T/2171T
	17.8	12.0		5.84	2171/2185X
	18.5			3.5	2135/2150T/2157
	19.0			4.0	2145/2150
	20.0	14.0		5.0	2168T/2171T
	20.8			5.84	2171/2185X
20.5	3.5		2135/2150T/2157		
21.0	4.0		2145/2150		
22.0		5.0	2168T/2171T		
22.8		5.84	2171/2185X		
Alternate					

Item	L	C	A	B	Mating
Standard	12.0	6.5	2.0 (THR)	3.5	2135/2150T/2157
	12.5			4.0	2145/2150
	13.5			5.0	2168T/2171T
	14.3	5.84		2171/2185X	
	12.6	7.0		3.5	2135/2150T/2157
	13.0			4.0	2145/2150
	14.0			5.0	2168T/2171T
	14.8			5.84	2171/2185X
	13.5	8.0		3.5	2135/2150T/2157
	14.0			4.0	2145/2150
	15.0			5.0	2168T/2171T
	15.8	9.0		5.84	2171/2185X
	14.5			3.5	2135/2150T/2157
	15.0			4.0	2145/2150
	16.0			5.0	2168T/2171T
	16.8	12.0		5.84	2171/2185X
	17.5			3.5	2135/2150T/2157
	18.0			4.0	2145/2150
	19.0	14.0		5.0	2168T/2171T
	19.8			5.84	2171/2185X
19.5	3.5		2135/2150T/2157		
20.0	4.0		2145/2150		
21.0		5.0	2168T/2171T		
21.8		5.84	2171/2185X		
Alternate					

A3	2025/05/26	Standardization Drawing	CP	OPERATION	DRAW	DATE	SCALE	Fit	PART NO. 1125-22XXXXXXXCOXX $\triangle A1 \triangle A2$ TITLE: PH2.54 DUAL ROW DOUBLE PLASTIC 180° H=2.5 Customer NO.
A2	2018/06/02	Cancel PBT & Modify P/N	XSR	x.X ±0.40	CP	2018/06/02	UNIT	mm	
A1	2018/01/22	Modify P/N	-----	x.XX ±0.25	CHECK	DATE	SIZE	A4	
A0	2012/05/28	NEW	-----	x.XXX ±0.15	TANG	2018/06/02	SHEET	2/3	
REV	DATE	MODIFICATION DESCRIPTION	CHANGE	Angle ± 3° DIM TOL	APPROVE Steven Zhao	DATE 2018/06/02	PROJ.	ϕ \leftarrow	

WCON
Http: www.wcon.com

WCON-Dongguan Tel: +86 769 85358920
WCON-Kunshan Tel: +86 512 57468408
Fax: +86 769 85358915 Fax: +86 512 57468468
E-mail: sales@wcon.com E-mail: salesks@wcon.com

HSF

Packaging Quantity Refers To The Following Table

PINS /Row	Q'ty/Bag (10.0 < L ≤ 16.0)	PINS /Row	Q'ty/Bag (10.0 < L ≤ 16.0)	PINS /Row	Q'ty/Bag (16.0 < L ≤ 19.0)	PINS /Row	Q'ty/Bag (16.0 < L ≤ 19.0)	PINS /Row	Q'ty/Bag (19.0 < L ≤ 30.0)	PINS /Row	Q'ty/Bag (19.0 < L ≤ 30.0)
1	1000	21	100	1	1000	21	150	1	500	21	100
2	1000	22	100	2	500	22	150	2	500	22	100
3	1000	23	100	3	500	23	150	3	500	23	100
4	500	24	100	4	200	24	150	4	200	24	100
5	300	25	100	5	300	25	100	5	200	25	100
6	500	26	100	6	300	26	100	6	300	26	100
7	500	27	100	7	300	27	100	7	200	27	100
8	500	28	100	8	200	28	100	8	200	28	100
9	300	29	100	9	200	29	100	9	200	29	100
10	200	30	100	10	200	30	50	10	200	30	100
11	300	31	100	11	200	31	50	11	200	31	100
12	200	32	100	12	200	32	50	12	100	32	50
13	200	33	100	13	200	33	50	13	100	33	100
14	200	34	100	14	200	34	50	14	100	34	100
15	200	35	100	15	200	35	50	15	100	35	50
16	200	36	100	16	200	36	50	16	100	36	50
17	200	37	100	17	200	37	50	17	100	37	50
18	200	38	100	18	200	38	50	18	100	38	50
19	200	39	100	19	200	39	50	19	100	39	50
20	100	40	50	20	150	40	50	20	50	40	50

A3	2025/05/26	Standardization Drawing	CP	OPERATION	DRAW	DATE	SCALE	Fit	PART NO. 1125-22XXXXXXXCOXX/A1/A2
A2	2018/06/02	Cancel PBT & Modify P/N	XSR	x.X ±0.40	CP	2018/06/02	UNIT	mm	
A1	2018/01/22	Modify P/N	-----	x.XX ±0.25	CHECK	DATE	SIZE	A4	TITLE: PH2.54 DUAL ROW DOUBLE PLASTIC 180° H=2.5
A0	2012/05/28	NEW	-----	x.XXX ±0.15	TANG	2018/06/02	SHEET	3/3	
REV	DATE	MODIFICATION DESCRIPTION	CHANGE	Angle ± 3°	APPROVE	DATE	PROJ.	Customer NO.	
				DIM TOL	Steven Zhao	2018/06/02			



Http: www.wcon.com

WCON-Dongguan Tel: +86 769 85358920 Fax: +86 769 85358915 E-mail: sales@wcon.com	WCON-Kunshan Tel: +86 512 57468408 Fax: +86 512 57468468 E-mail: sales@wcon.com
---	--