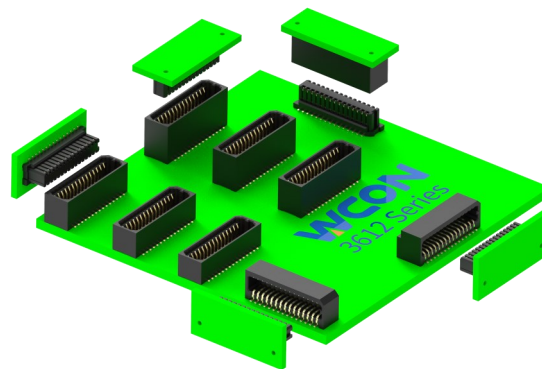


0.80mm pitch/board -to-board Connector

0.80mm间距/板到板连接器

Overview

The 3612 series offers multiple mating heights and various connection options, featuring superior electrical performance and high-temperature resistance to meet the current demand for compact, high-performance connectors.



概述

3612系列拥有多种配合高度，且提供不同连接方式，优异的电气性能及耐高温满足当下追求小型化高性能连接器的趋势。

Features and Benefits

- 10-40 circuits available
- Multiple height options available
- Anti-misplug structre
- Provide vertical and horizontal connections

产品特点

- 提供10-40电路数
- 多种配合高度选择
- 防呆设计防错插
- 提供垂直、水平连接

Product Applications

- Industrial: Automated machinery
- Communications: Server, Office equipment
- Home Appliances: Smart Speaker

应用领域

- 工业：自动化机器
- 通信：服务器、办公设备
- 家用电器：智能扬声器

Standard 标准

- EIA 364
- IEC 60512

UL certification UL认证

- E248993

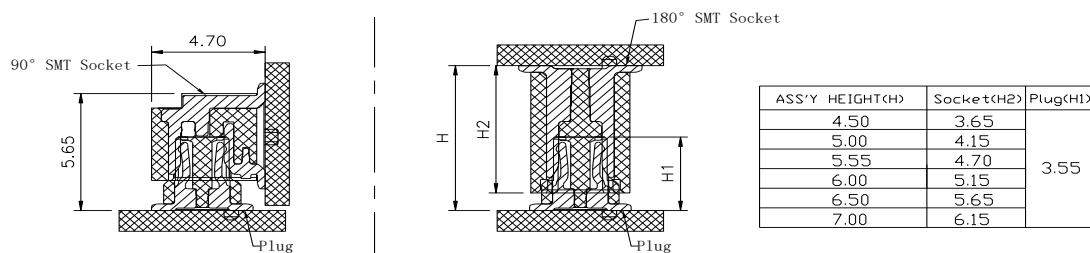
Material 材料

Part/零件	Material/材料	Finish/电镀	UL Flame retardant/阻燃等级
Plug/公座	PA9T	Natural/自然色	UL94V-0
Socket/母座	PA9T	Natural/自然色	UL94V-0
Terminal/端子	phosphor bronze	Gold-plated/镀金	-

Production Specifications 产品规格

Current rating 额定电流	0.5 A	Operating temperature Range:-20° C~+105° C (including temperature rise) Operating Humidity Range:20-80% 工作温度范围: -20° C~+105° C(含温升) 工作湿度范围: 20-80%	Storage temperature: Operating Humidity: 储存温度: 25±5° C 储存湿度: ≤60%
Voltage rating 额定电压	50V		
Item 项目	Condition 条件	Specification 规格	
Insulation Resistance 绝缘电阻	Measured at 500V DC for 1 minute 测试电压: 500V DC/1分钟	No less than 100MΩ 不少于100MΩ	
Withstanding voltage 耐电压	Test Voltage 500V AC/DC for 1 minute 测试电压: 500V AC/DC/1分钟	No breakdown, no discharge, leakage current <0.5mA 无击穿、无放电、漏电流<0.5mA	
Contact Resistance 接触电阻	Measured at 100mA and no higher than 20mV 用20 mV DC进行测量	Contact resistance: After environmental tests/ 30 mΩ max. 接触电阻: 测试后 30 mΩ 以下	
Vibration Resistance 抗振动	Frequency : 50-2000 Hz PSD value : 5.35 G _{rms} Duration : 15 minutes/axis Vibration : X、Y、Z 频率: 50-2000 Hz 功率谱密度: 5.35 G _{rms} 时长: 15分钟/轴 振动方向: X、Y、Z	No electrical discontinuity of 1μs or greater 试验过程中未发生1μs瞬断现象, 且外观无损伤, 电气性能正常	
Humidity (Steady state) 湿度	Temperature : 25° C~65° C Humidity: 90 ~95% (R.H) Duration : 96 hours 温度: 25° C~65° C 湿度: 90 ~95% (R.H) 时间: 96小时	Contact resistance: After environmental tests/ 30 mΩ max. 接触电阻: 测试后 30 mΩ 以下	
Salt Spry 盐雾	Temperature:35± 2°C Solution concentration : 5%NaCl PHValue : 6.5 ~ 7.2 Duration : 24hours 温度: 35±2° C 溶液浓度: 5%NaCl PH值: 6.5~7.2 时间: 24小时	Contact resistance: After environmental tests/ 30 mΩ max. 接触电阻: 测试后 30 mΩ 以下	
Durability(Mating/un- mating) 插拔寿命	50 cycles 循环50次	Contact resistance: After environmental tests/ 30 mΩ max. 接触电阻: 测试后 30 mΩ 以下 contact surface is not Rubbing through. 接触面磨损不能见底材	

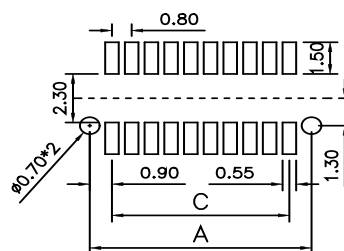
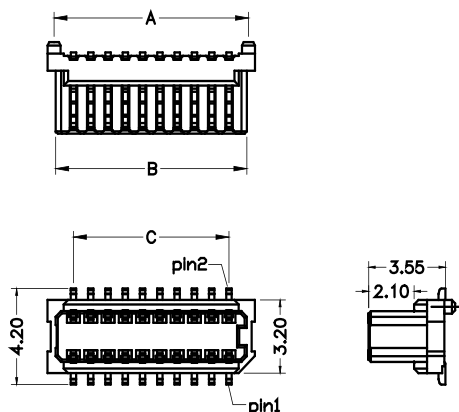
Mating Height Chart 配合高度一览表



3612 Series

Dimensions 尺寸

PCB Layout 印刷电路板布局



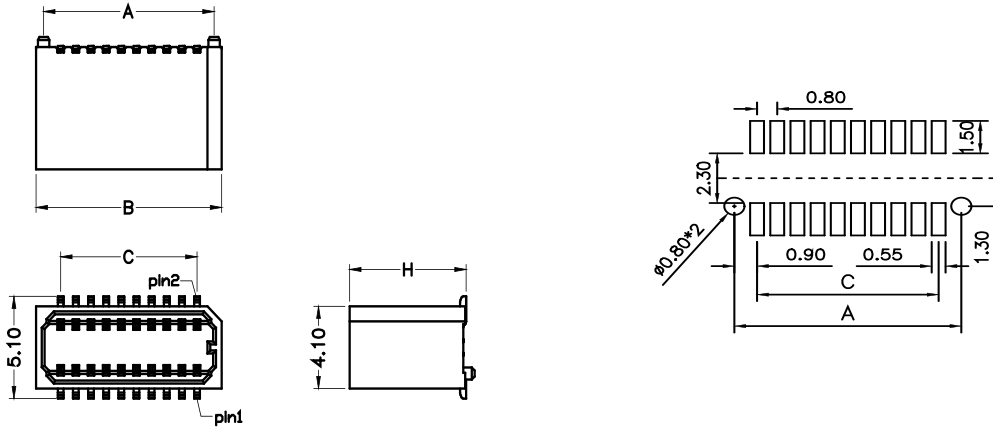
Ordering Information 订购信息

Circuit 芯数	Product height 产品高度 (mm)	Part number 型号	Plating 电镀	Dimensions 尺寸 (mm)			Package 包 装 Q'ty/Reel 只/卷装	Remake 可量产状态
				A	B	C		
10	H=3.55	3612-P010-035XXR01	XX: G1=3u"Gold G2=5u"Gold S1=3u"Gold/Tin S2=5u"Gold/Tin	5.00	4.85	3.20	1000	*
12	H=3.55	3612-P012-035XXR01		5.80	5.65	4.00	1000	*
14	H=3.55	3612-P014-035XXR01		6.60	6.45	4.80	1000	*
16	H=3.55	3612-P016-035XXR01		7.40	7.25	5.60	1000	*
18	H=3.55	3612-P018-035XXR01		8.20	8.05	6.40	1000	*
20	H=3.55	3612-P020-035XXR01		9.00	8.85	7.20	1000	*
22	H=3.55	3612-P022-035XXR01		9.80	9.65	8.00	1000	
24	H=3.55	3612-P024-035XXR01		10.60	10.45	8.80	1000	*
26	H=3.55	3612-P026-035XXR01		11.40	11.25	9.60	1000	
28	H=3.55	3612-P028-035XXR01		12.20	12.05	10.40	1000	*
30	H=3.55	3612-P030-035XXR01		13.00	12.85	11.20	1000	*
32	H=3.55	3612-P032-035XXR01		13.80	13.65	12.00	1000	*
34	H=3.55	3612-P034-035XXR01		14.60	14.45	12.80	1000	*
36	H=3.55	3612-P036-035XXR01		15.40	15.25	13.60	1000	*
38	H=3.55	3612-P038-035XXR01		16.20	16.05	14.40	1000	
40	H=3.55	3612-P040-035XXR01		17.00	16.85	15.20	1000	*

Note: * stands for mass production . 注: *代表可量产

Dimensions 尺寸

PCB Layout 印刷电路板布局



Ordering Information 订购信息

Circuit 芯数	Product height 产品高度 (mm)	Part number 型号	Plating 电镀	Dimensions 尺寸 (mm)			Package 包 装 Q'ty/Reel 只/卷装	Remake 可量产状态
				A	B	C		
10	H=3.65	3612-S010-036XXR01	XX: G1=3u"Gold G2=5u"Gold S1=3u"Gold/Tin S2=5u"Gold/Tin	5.00	5.80	3.20	900	*
12		3612-S012-036XXR01		5.80	6.60	4.00	900	
14		3612-S014-036XXR01		6.60	7.40	4.80	900	*
16		3612-S016-036XXR01		7.40	8.20	5.60	900	*
18		3612-S018-036XXR01		8.20	9.00	6.40	900	
20		3612-S020-036XXR01		9.00	9.80	7.20	900	*
22		3612-S022-036XXR01		9.80	10.60	8.00	900	
24		3612-S024-036XXR01		10.60	11.40	8.80	900	
26		3612-S026-036XXR01		11.40	12.20	9.60	900	
28		3612-S028-036XXR01		12.20	13.00	10.40	900	
30		3612-S030-036XXR01		13.00	13.80	11.20	900	*
32		3612-S032-036XXR01		13.80	14.60	12.00	900	
34		3612-S034-036XXR01		14.60	15.40	12.80	900	
36		3612-S036-036XXR01		15.40	16.20	13.60	900	
38		3612-S038-036XXR01		16.20	17.00	14.40	900	
40		3612-S040-036XXR01		17.00	17.80	15.20	900	*
10	H=4.15	3612-S010-041XXR01	XX: G1=3u"Gold G2=5u"Gold S1=3u"Gold/Tin S2=5u"Gold/Tin	5.00	5.80	3.20	900	
12		3612-S012-041XXR01		5.80	6.60	4.00	900	
14		3612-S014-041XXR01		6.60	7.40	4.80	900	
16		3612-S016-041XXR01		7.40	8.20	5.60	900	*
18		3612-S018-041XXR01		8.20	9.00	6.40	900	
20		3612-S020-041XXR01		9.00	9.80	7.20	900	*
22		3612-S022-041XXR01		9.80	10.60	8.00	900	
24		3612-S024-041XXR01		10.60	11.40	8.80	900	
26		3612-S026-041XXR01		11.40	12.20	9.60	900	
28		3612-S028-041XXR01		12.20	13.00	10.40	900	*
30		3612-S030-041XXR01		13.00	13.80	11.20	900	*
32		3612-S032-041XXR01		13.80	14.60	12.00	900	
34		3612-S034-041XXR01		14.60	15.40	12.80	900	
36		3612-S036-041XXR01		15.40	16.20	13.60	900	
38		3612-S038-041XXR01		16.20	17.00	14.40	900	
40		3612-S040-041XXR01		17.00	17.80	15.20	900	*

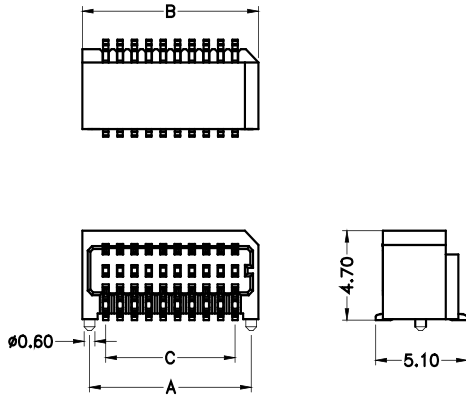
3612 Series

10	H=4.70	3612-S010-047XXR01	XX: G1=3u"Gold G2=5u"Gold S1=3u"Gold/Tin S2=5u"Gold/Tin	5.00	5.80	3.20	800	
12		3612-S012-047XXR01		5.80	6.60	4.00	800	
14		3612-S014-047XXR01		6.60	7.40	4.80	800	
16		3612-S016-047XXR01		7.40	8.20	5.60	800	
18		3612-S018-047XXR01		8.20	9.00	6.40	800	
20		3612-S020-047XXR01		9.00	9.80	7.20	800	*
22		3612-S022-047XXR01		9.80	10.60	8.00	800	
24		3612-S024-047XXR01		10.60	11.40	8.80	800	
26		3612-S026-047XXR01		11.40	12.20	9.60	800	
28		3612-S028-047XXR01		12.20	13.00	10.40	800	
30		3612-S030-047XXR01		13.00	13.80	11.20	800	*
32		3612-S032-047XXR01		13.80	14.60	12.00	800	
34		3612-S034-047XXR01		14.60	15.40	12.80	800	
36		3612-S036-047XXR01		15.40	16.20	13.60	800	
38		3612-S038-047XXR01		16.20	17.00	14.40	800	
40		3612-S040-047XXR01		17.00	17.80	15.20	800	*
10	H=5.15	3612-S010-051XXR01	XX: G1=3u"Gold G2=5u"Gold S1=3u"Gold/Tin S2=5u"Gold/Tin	5.00	5.80	3.20	800	*
12		3612-S012-051XXR01		5.80	6.60	4.00	800	
14		3612-S014-051XXR01		6.60	7.40	4.80	800	*
16		3612-S016-051XXR01		7.40	8.20	5.60	800	
18		3612-S018-051XXR01		8.20	9.00	6.40	800	
20		3612-S020-051XXR01		9.00	9.80	7.20	800	*
22		3612-S022-051XXR01		9.80	10.60	8.00	800	
24		3612-S024-051XXR01		10.60	11.40	8.80	800	*
26		3612-S026-051XXR01		11.40	12.20	9.60	800	
28		3612-S028-051XXR01		12.20	13.00	10.40	800	
30		3612-S030-051XXR01		13.00	13.80	11.20	800	*
32		3612-S032-051XXR01		13.80	14.60	12.00	800	*
34		3612-S034-051XXR01		14.60	15.40	12.80	800	
36		3612-S036-051XXR01		15.40	16.20	13.60	800	
38		3612-S038-051XXR01		16.20	17.00	14.40	800	
40		3612-S040-051XXR01		17.00	17.80	15.20	800	
10	H=5.65	3612-S010-056XXR01	XX: G1=3u"Gold G2=5u"Gold S1=3u"Gold/Tin S2=5u"Gold/Tin	5.00	5.80	3.20	800	
12		3612-S012-056XXR01		5.80	6.60	4.00	800	
14		3612-S014-056XXR01		6.60	7.40	4.80	800	*
16		3612-S016-056XXR01		7.40	8.20	5.60	800	
18		3612-S018-056XXR01		8.20	9.00	6.40	800	
20		3612-S020-056XXR01		9.00	9.80	7.20	800	
22		3612-S022-056XXR01		9.80	10.60	8.00	800	
24		3612-S024-056XXR01		10.60	11.40	8.80	800	
26		3612-S026-056XXR01		11.40	12.20	9.60	800	
28		3612-S028-056XXR01		12.20	13.00	10.40	800	
30		3612-S030-056XXR01		13.00	13.80	11.20	800	
32		3612-S032-056XXR01		13.80	14.60	12.00	800	
34		3612-S034-056XXR01		14.60	15.40	12.80	800	
36		3612-S036-056XXR01		15.40	16.20	13.60	800	
38		3612-S038-056XXR01		16.20	17.00	14.40	800	
40		3612-S040-056XXR01		17.00	17.80	15.20	800	*

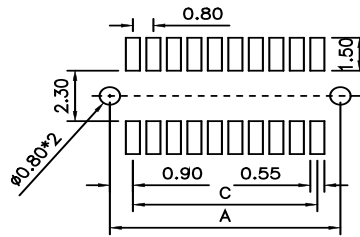
10	H=6.15	3612-S010-061XXR01	XX: G1=3u"Gold G2=5u"Gold S1=3u"Gold/Tin S2=5u"Gold/Tin	5.00	5.80	3.20	650	*
12		3612-S012-061XXR01		5.80	6.60	4.00	650	
14		3612-S014-061XXR01		6.60	7.40	4.80	650	
16		3612-S016-061XXR01		7.40	8.20	5.60	650	*
18		3612-S018-061XXR01		8.20	9.00	6.40	650	*
20		3612-S020-061XXR01		9.00	9.80	7.20	650	*
22		3612-S022-061XXR01		9.80	10.60	8.00	650	
24		3612-S024-061XXR01		10.60	11.40	8.80	650	
26		3612-S026-061XXR01		11.40	12.20	9.60	650	
28		3612-S028-061XXR01		12.20	13.00	10.40	650	
30		3612-S030-061XXR01		13.00	13.80	11.20	650	*
32		3612-S032-061XXR01		13.80	14.60	12.00	650	*
34		3612-S034-061XXR01		14.60	15.40	12.80	650	
36		3612-S036-061XXR01		15.40	16.20	13.60	650	
38		3612-S038-061XXR01		16.20	17.00	14.40	650	
40		3612-S040-061XXR01		17.00	17.80	15.20	650	*

Note: * stands for mass production . 注: *代表可量产

Dimensions 尺寸



PCB Layout 印刷电路板布局



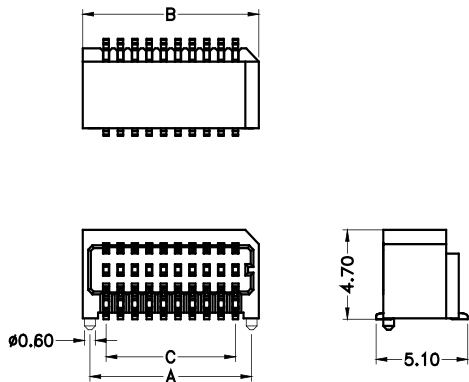
Ordering Information 订购信息

Circuit 芯数	Product height 产品高度 (mm)	Part number 型号	Plating 电镀	Dimensions 尺寸 (mm)			Package 包装 Q'ty/Reel 只/卷装	Remake 可量产状态
				A	B	C		
10	H=4.70	3612-S010-047XXR02	XX: G1=3u"Gold G2=5u"Gold S1=3u"Gold/Tin S2=5u"Gold/Tin	5.00	5.80	3.20	800	*
12		3612-S012-047XXR02		5.80	6.60	4.00	800	*
14		3612-S014-047XXR02		6.60	7.40	4.80	800	*
16		3612-S016-047XXR02		7.40	8.20	5.60	800	*
18		3612-S018-047XXR02		8.20	9.00	6.40	800	*
20		3612-S020-047XXR02		9.00	9.80	7.20	800	*
22		3612-S022-047XXR02		9.80	10.60	8.00	800	
24		3612-S024-047XXR02		10.60	11.40	8.80	800	*
26		3612-S026-047XXR02		11.40	12.20	9.60	800	
28		3612-S028-047XXR02		12.20	13.00	10.40	800	
30		3612-S030-047XXR02		13.00	13.80	11.20	800	*
32		3612-S032-047XXR02		13.80	14.60	12.00	800	*
34		3612-S034-047XXR02		14.60	15.40	12.80	800	*
36		3612-S047-047XXR02		15.40	16.20	13.60	800	*
38		3612-S038-047XXR02		16.20	17.00	14.40	800	
40		3612-S040-047XXR02		17.00	17.80	15.20	800	*
50		3612-S050-047XXR02		17.80	18.60	16.00	900	

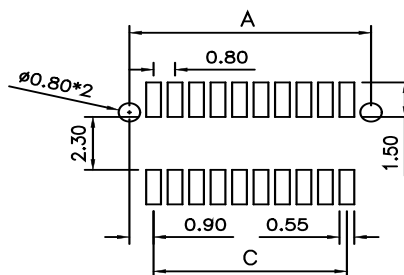
Note: * stands for mass production . 注: *代表可量产

3612 Series

Dimensions 尺寸



PCB Layout 印刷电路板布局



Ordering Information 订购信息

Circuit 芯数	Product height 产品高度 (mm)	Part number 型号	Plating 电镀	Dimensions 尺寸 (mm)			Package 包 装 Q'ty/Reel 只/卷装	Remake 可量产状态
				A	B	C		
10	H=4.70	3612-S010-047XXR05	XX: G1=3u"Gold G2=5u"Gold S1=3u"Gold/Tin S2=5u"Gold/Tin	5.00	5.80	3.20	800	
12		3612-S012-047XXR05		5.80	6.60	4.00	800	
14		3612-S014-047XXR05		6.60	7.40	4.80	800	*
16		3612-S016-047XXR05		7.40	8.20	5.60	800	
18		3612-S018-047XXR05		8.20	9.00	6.40	800	
20		3612-S020-047XXR05		9.00	9.80	7.20	800	*
22		3612-S022-047XXR05		9.80	10.60	8.00	800	
24		3612-S024-047XXR05		10.60	11.40	8.80	800	
26		3612-S026-047XXR05		11.40	12.20	9.60	800	
28		3612-S028-047XXR05		12.20	13.00	10.40	800	
30		3612-S030-047XXR05		13.00	13.80	11.20	800	
32		3612-S032-047XXR05		13.80	14.60	12.00	800	
34		3612-S034-047XXR05		14.60	15.40	12.80	800	
36		3612-S047-047XXR05		15.40	16.20	13.60	800	
38		3612-S038-047XXR05		16.20	17.00	14.40	800	
40		3612-S040-047XXR05		17.00	17.80	15.20	800	
50		3612-S050-047XXR05		17.80	18.60	16.00	900	

Note: * stands for mass production . 注: *代表可量产

Model number allocation 型号命名

3612	-	P	XXX	-	035	XX	R	01
(1)		(2)	(3)		(4)	(5)	(6)	(7)
(1) Series (系列): 3612 Series					(5)Plating(电镀): G1=3u" Gold、G2=5u" Gold、S1=3u" Gold/Tin、S2=5u" Gold/Tin			
(2) Modle(型号): P=Plug					(6)Packing(包装): R=Reel			
(3) Circuit(位数): 010=10P.....040=40P					(7) Internal code(流水码)			
(4)Product height(产品高度): 035=3.55mm								

3612	-	S	XXX	-	XXX	XX	R	0X
(1)		(2)	(3)		(4)	(5)	(6)	(7)
(1) Series (系列): 3612 Series					(5)Plating(电镀): G1=3u" Gold、G2=5u" Gold、S1=3u" Gold/Tin、S2=5u" Gold/Tin			
(2) Modle(型号): S=Socket					(6)Packing(包装): R=Reel			
(3) Circuit(位数): 010=10P.....040=40P					(7) Internal code(流水码): 01=180° SMT、02=90° SMT、05=90° SMT (Special Locating Pin)			
(4)Product height(产品高度): 036=3.65mm、041=4.15mm、047=4.70mm、051=5.15mm、056=5.65mm、061=6.15mm								

Contact Us 联系我们

维峰电子(广东)股份有限公司(总部)
 WCON ELECTRONICS (GUANGDONG) CO.,LTD(HQ)
 地址:广东省东莞市虎门镇大宁文明路15号
 Add :No.15,Wenming Road,Danling Community, Humen Town, Dongguan, Guangdong.523930, China

昆山维康电子有限公司
 KUNSHAN WCON ELECTRONICIS CO.,LTD(East of China)
 地址:昆山市千灯镇汶浦中路169号
 Add : No.169, WenPu Middle Road, QianDeng Town, Kunshan City, Jiangsu Province, China

合肥维峰电子有限公司
 HEFEI WCON ELECTRONICIS CO.,LTD
 地址:安徽合肥市高新技术开发区绿城科技园E栋2楼
 Add : 2F, Building E, Greentown Science Park,High-tech Development Zone, Hefei, Anhui,China

维康电子(泰国)有限公司
 WCON ELECTRONICS (Thailand) CO.,LTD
 地址:泰国巴真武里府西玛铺县华瓦区洛加纳工业园
 Add: VG3C+H57, Hua Wa, Si Maha Phot District, Prachin Buri 25140, Thailand

销售联系方式 Sales Contacts

国际客户部 International Sales Department
 salesdg01@wcon.com
 salesdg05@wcon.com

大客户专线 Key Account Line
 华南: salesdg28@wcon.com
 华东: salesks@wcon.com

中小客户专线 Small and Medium-sized Account Line
 华南: salesdg10@wcon.com
 华东: salesks01@wcon.com

网络销售 Online sales
 salesdg26@wcon.com



Official Website



Product e-catalog



WeChat Public#



TikTok Public#