

HSF

NOTES:

Rated Current: 5.0AMP.(20°C,2*2P-2*15P)
 3.0AMP.(20°C,2*16P-2*40P) \triangle_{A5}
 Contact Resistance: 20m Ω Max.
 Withstand Voltage: 1000V AC/DC
 Insulation Resistance: 1000M Ω Min.
 Operation Temperature: -40°C to +125°C(Gold Plating)
 -40°C to +105°C(Tin Plating) \triangle_{A5}
 Contact Material: Copper Alloy \triangle_{A5}
 Contact Plating: Au or Sn Over 30u" Min Ni
 Insulator Material: PA9T+G.F UL94V-0 BK \triangle_{A5}

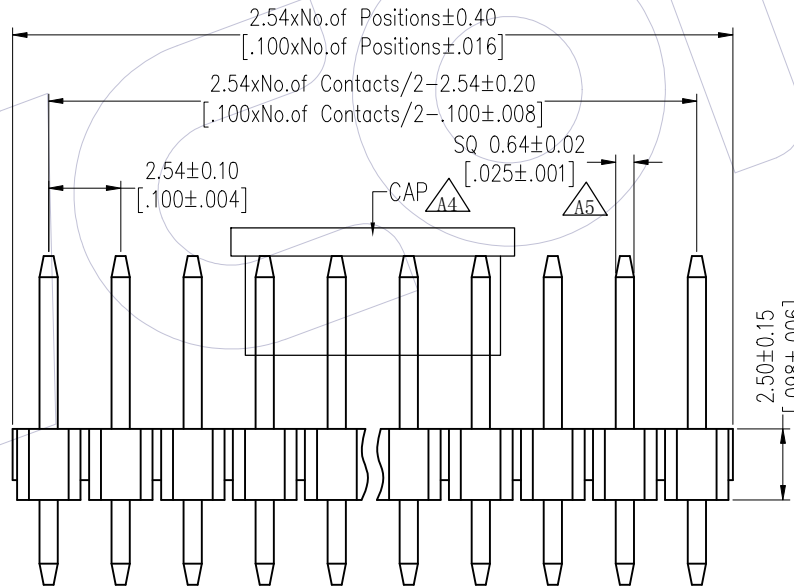
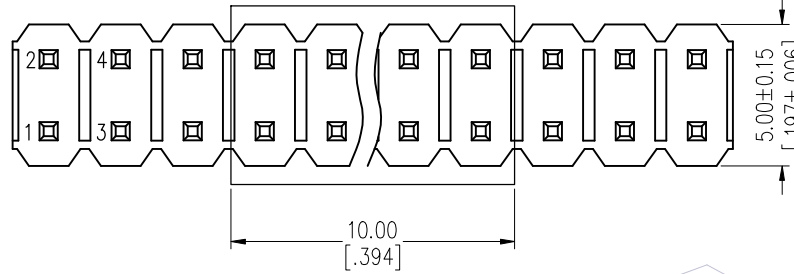
Ordering Information

1125-1 2 XX XX S XXX C X XX \triangle_{A5}

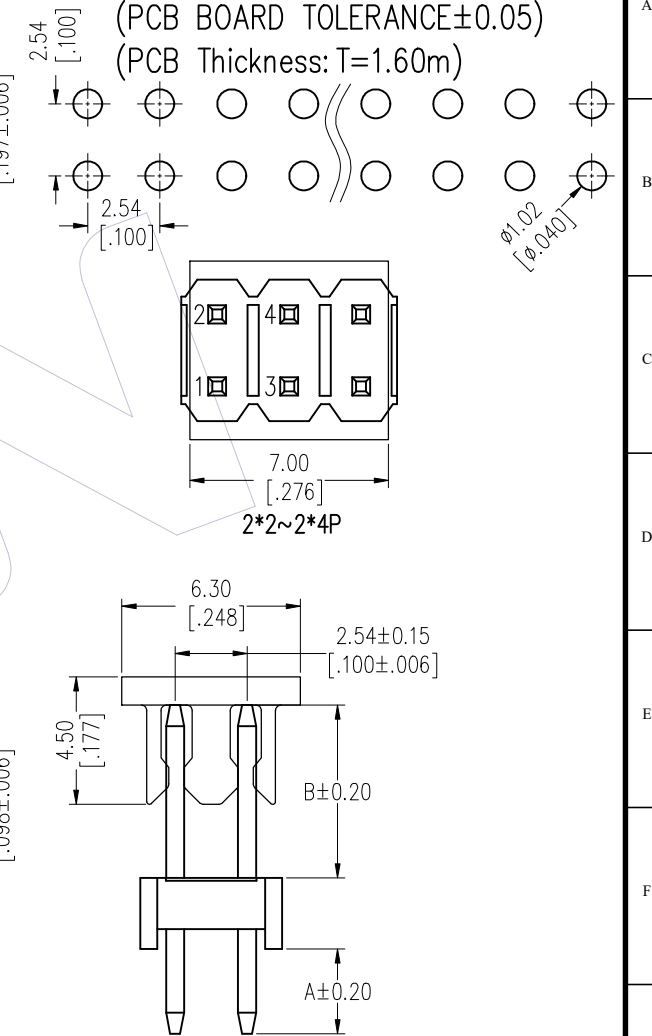
Plastic Layer
 Plastic Row
 No. of Pins Per Row: 02-40
 Contact Plating
 G0=Gold Flash
 G3=10u"Au, BG3=8u"PdNi+2u"Au
 G4=15u"Au, BG4=13u"PdNi+2u"Au
 G5=30u"Au, BG5=28u"PdNi+2u"Au
 S0=Gold Flash/Tin
 S3=10u"Au/Sn, P3=8u"PdNi+2u"Au/Sn
 S4=15u"Au/Sn, P4=13u"PdNi+2u"Au/Sn
 S5=30u"Au/Sn, P5=28u"PdNi+2u"Au/Sn
 SN=Bright Tin
 SM=Matte Tin

Series No. 01-99
 Packing 0=PE Bag
 T=Tube
 P=Tube+CAP
 R=Tape & Reel+CAP
 Insulator Material C=PA9T(Standard)
 Pin Length L(See Table)
 Type: S:S/T

Item	Pin Length	A	B	Mating
Standard	9.0	3.0	3.5	2135/2150T/2157
	9.5		4.0	2145/2150
	10.5		5.0	2168T/2171T
	11.3		5.84	2171/2185X
Standard	8.0	2.0 (THR)	3.5	2135/2150T/2157
	8.5		4.0	2145/2150
	9.5		5.0	2168T/2171T
	10.3		5.84	2171/2185X
Alternate				



Recommended P.C.B Layout (Top Side)
 (PCB BOARD TOLERANCE±0.05)
 (PCB Thickness: T=1.60m)



REV	DATE	MODIFICATION DESCRIPTION	CHANGE	OPERATION	DRAW	DATE	SCALE	Fit	PART NO.
A5	2025/01/02	Standardization Drawing \triangle_{A5}	CP	OPERATION	DRAW	2025/01/02	UNIT	mm [inch]	1125-12XXXXXXXCX \triangle_{A4}
A4	2021/01/29	Modify \triangle_{A4}	DuYing	x.X ±0.40	CP	2025/01/02	SIZE	A4	TITLE: PH2.54 DUAL ROW S/T H=2.5
A3	2018/06/02	Cancel PBT & Modify P/N \triangle_{A3}	Surong Xu	x.XX ±0.25	CHECK	2025/01/02	SHEET	1/4	Customer NO.
A0	2012/05/28	NEW	-----	x.XXX ±0.15	TANG	2025/01/02	PROJ.		
				Angle ± 3°	APPROVE	2025/01/02			
				DIM TOL	Steven Zhao				

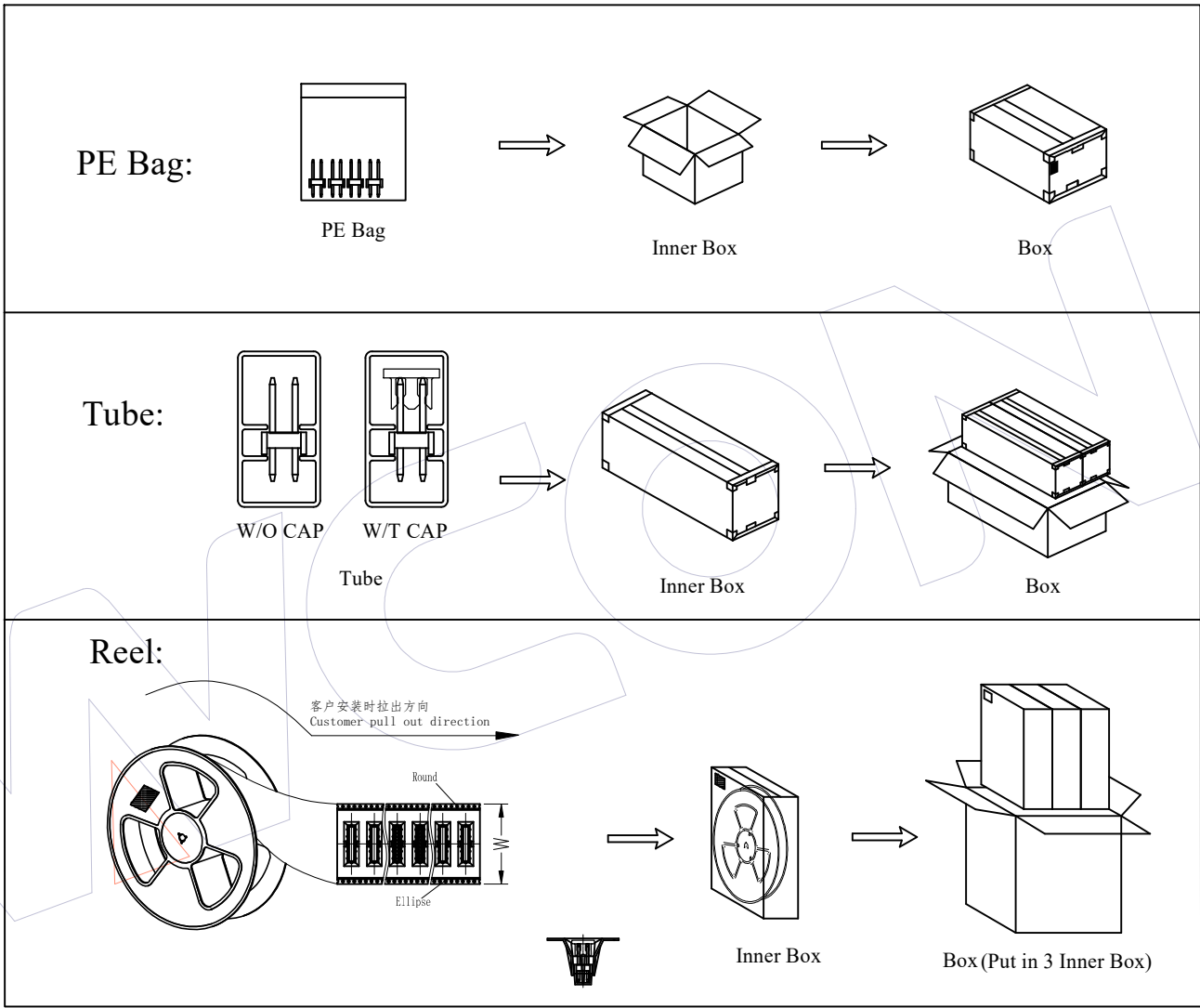
WCON
 Http: www.wcon.com

WCON-Dongguan Tel: +86 769 85358920 Fax: +86 769 85358915 E-mail: sales@wcon.com

WCON-Kunshan Tel: +86 512 57468408 Fax: +86 512 57468468 E-mail: salesks@wcon.com

HSF

Packing:



A5	2025/01/02	Standardization Drawing	$\triangle A5$	CP	OPERATION	DRAW	DATE	SCALE	Fit	PART NO.
A4	2021/01/29	Modify	$\triangle A4$	DuYing	x.X ±0.40	CP	2025/01/02	UNIT	mm [inch]	1125-12XXXXXXXCXXX $\triangle A4$
A3	2018/06/02	Cancel PBT & Modify P/N	$\triangle A3$	Surong Xu	x.XX ±0.25	CHECK	DATE	SIZE	A4	TITLE:
A0	2012/05/28	NEW	-----	-----	x.XXX ±0.15	TANG	2025/01/02	SHEET	2/4	PH2.54 DUAL ROW S/T H=2.5
REV	DATE	MODIFICATION DESCRIPTION	CHANGE	DIM	TOL	APPROVE	DATE	PROJ.		Customer NO.
						Steven Zhao	2025/01/02			

WCON
[Http: www.wcon.com](http://www.wcon.com)

WCON-Dongguan
 Tel: +86 769 85358920
 Fax: +86 769 85358915
 E-mail: sales@wcon.com

WCON-Kunshan
 Tel: +86 512 57468408
 Fax: +86 512 57468468
 E-mail: salesks@wcon.com

HSF

Packaging Quantity Refers To The Following Table

PINS /Row	Q' ty/Bag (L≤10.0)	PINS /Row	Q' ty/Bag (L≤10.0)	PINS /Row	Q' ty/Bag (10.0<L≤11.3)	PINS /Row	Q' ty/Bag (10.0<L≤11.3)	PINS /Row	Q' ty/Tube	Q' ty/Inner Box	Q' ty/Box	PINS /Row	Q' ty/Tube	Q' ty/Inner Box	Q' ty/Box
2	1,000	21	200	2	1,000	21	100	4	58	6,960	13,920	23	10	1,200	2,400
3	1,000	22	200	3	1,000	22	100	5	45	5,400	10,800	24	9	1,080	2,160
4	1,000	23	200	4	1,000	23	100	6	38	4,560	9,120	25	9	1,080	2,160
5	1,000	24	200	5	1,000	24	100	7	32	3,840	7,680	26	8	960	1,920
6	500	25	200	6	500	25	100	8	29	3,480	6,960	27	8	960	1,920
7	500	26	200	7	500	26	100	9	25	3,000	6,000	28	8	960	1,920
8	500	27	200	8	500	27	100	10	22	2,640	5,280	29	7	840	1,680
9	500	28	100	9	300	28	100	11	20	2,400	4,800	30	7	840	1,680
10	500	29	100	10	300	29	100	12	19	2,280	4,560	31	7	840	1,680
11	300	30	100	11	300	30	100	13	17	2,040	4,080	32	7	840	1,680
12	300	31	100	12	200	31	100	14	16	1,920	3,840	33	6	720	1,440
13	300	32	100	13	200	32	100	15	15	1,800	3,600	34	6	720	1,440
14	300	33	100	14	200	33	100	16	14	1,680	3,360	35	6	720	1,440
15	200	34	100	15	200	34	100	17	13	1,560	3,120	36	6	720	1,440
16	200	35	100	16	200	35	100	18	12	1,440	2,880	37	6	720	1,440
17	200	36	100	17	200	36	100	19	12	1,440	2,880	38	6	720	1,440
18	200	37	100	18	200	37	100	20	11	1,320	2,640	39	5	600	1,200
19	200	38	100	19	200	38	100	21	10	1,200	2,400	40	5	600	1,200
20	200	39	100	20	100	39	100	22	10	1,200	2,400				
		40	100			40	100								

A5	2025/01/02	Standardization Drawing		CP	OPERATION		DRAW	DATE	SCALE	Fit	PART NO.
A4	2021/01/29	Modify		DuYing	x.X	±0.40	CP	2025/01/02	UNIT	mm [inch]	1125-12XXXXSXXXCXXX
A3	2018/06/02	Cancel PBT & Modify P/N		Surong Xu	x.xx	±0.25	CHECK	DATE	SIZE	A4	TITLE:
A0	2012/05/28	NEW	-----		x.xxx	±0.15	TANG	2025/01/02	SHEET	3/4	PH2.54 DUAL ROW S/T H=2.5
REV	DATE	MODIFICATION DESCRIPTION	CHANGE		Angle	± 3'	APPROVE	DATE	PROJ.		Customer NO.
					DIM	TOL	Steven Zhao	2025/01/02			

WCON
 Http: www.wcon.com
 WCON-Dongguan Tel: +86 769 85358920
 WCON-Kunshan Tel: +86 512 57468408
 Fax: +86 769 85358915 Fax: +86 512 57468468
 E-mail: sales@wcon.com E-mail: salesks@wcon.com

HSF

Packaging Quantity Refers To The Following Table

B=3.5

B=4.0

B=5.0/5.84

PINS /Row	W	Q' ty/Reel	Q' ty/Inner Box	Q' ty/Box
2	24	350	1,050	3,150
3	24	350	1,050	3,150
4	24	350	1,050	3,150
5	32	350	700	2,100
6	32	350	700	2,100
7	44	350	700	2,100
8	44	350	700	2,100
9	44	350	700	2,100
10	44	350	700	2,100
11	56	350	350	1,050
12	56	350	350	1,050
13	56	350	350	1,050
14	56	350	350	1,050
15	56	350	350	1,050
16	72	350	350	1,050
17	72	350	350	1,050
18	72	350	350	1,050
19	72	350	350	1,050
20	72	350	350	1,050
21	72	350	350	1,050
22	88	350	350	1,050
23	88	350	350	1,050
24	88	350	350	1,050
25	88	350	350	1,050
26	88	350	350	1,050
27	88	350	350	1,050

PINS /Row	W	Q' ty/Reel	Q' ty/Inner Box	Q' ty/Box
2	24	440	1,320	3,960
3	24	440	1,320	3,960
4	24	440	1,320	3,960
5	32	440	880	2,640
6	44	440	880	2,640
7	44	440	880	2,640
8	44	440	880	2,640
9	44	440	880	2,640
10	44	440	880	2,640
11	56	440	440	1,320
12	56	440	440	1,320
13	56	440	440	1,320
14	56	440	440	1,320
15	72	440	440	1,320
16	72	440	440	1,320
17	72	440	440	1,320
18	72	440	440	1,320
19	72	440	440	1,320
20	72	440	440	1,320
21	72	440	440	1,320
22	88	440	440	1,320
23	88	440	440	1,320
24	88	440	440	1,320
25	88	440	440	1,320
26	88	440	440	1,320
27	88	440	440	1,320

PINS /Row	W	Q' ty/Reel	Q' ty/Inner Box	Q' ty/Box
2	24	290	870	2,610
3	24	290	870	2,610
4	32	290	580	1,740
5	32	290	580	1,740
6	44	290	580	1,740
7	44	290	580	1,740
8	44	290	580	1,740
9	44	290	580	1,740
10	56	290	290	870
11	56	290	290	870
12	56	290	290	870
13	56	290	290	870
14	56	290	290	870
15	72	290	290	870
16	72	290	290	870
17	72	290	290	870
18	72	290	290	870
19	72	290	290	870
20	72	290	290	870
21	88	290	290	870
22	88	290	290	870
23	88	290	290	870
24	88	290	290	870
25	88	290	290	870
26	88	290	290	870
27	88	290	290	870

A5	2025/01/02	Standardization Drawing		CP	OPERATION	DRAW	DATE	SCALE	Fit	PART NO.
A4	2021/01/29	Modify		DuYing	x.X ±0.40	CP	2025/01/02	UNIT	mm [inch]	1125-12XXXXXXXCXX
A3	2018/06/02	Cancel PBT & Modify P/N		Surong Xu	x.XX ±0.25	CHECK	DATE	SIZE	A4	TITLE:
A0	2012/05/28	NEW		-----	x.XXX ±0.15	TANG	2025/01/02	SHEET	4/4	PH2.54 DUAL ROW S/T H=2.5
REV	DATE	MODIFICATION DESCRIPTION	CHANGE		Angle ± 3'	APPROVE	DATE	PROJ.		Customer NO.
					DIM TOL	Steven Zhao	2025/01/02			

WCON
[Http: www.wcon.com](http://www.wcon.com)

WCON-Dongguan Tel: +86 769 85358920
 WCON-Kunshan Tel: +86 512 57468408
 Fax: +86 769 85358915 Fax: +86 512 57468468
 E-mail: sales@wcon.com E-mail: salesks@wcon.com