

HSF

NOTES:

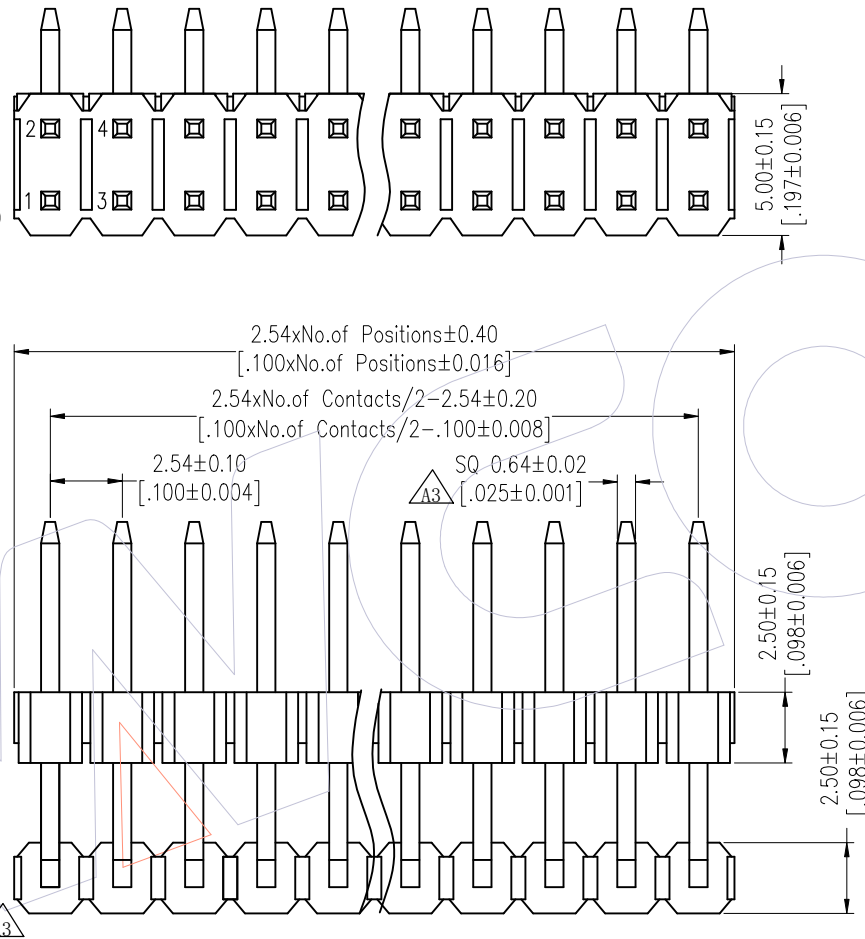
- Rated Current: 5.0AMP.(20°C,2*2P-2*15P)
3.0AMP.(20°C,2*16P-2*40P)
- Contact Resistance: 20mΩ Max.
- Withstand Voltage: 1000V AC/DC
- Insulation Resistance: 1000MΩ Min.
- Operation Temperature: -40°C to +125°C (Gold Plating)
-40°C to +105°C (Tin Plating)
- Contact Material: Copper Alloy
- Contact Plating: Au or Sn Over 30u" Min Ni
- Insulator Material: PA9T+G.F UL94V-0 BK

Ordering Information

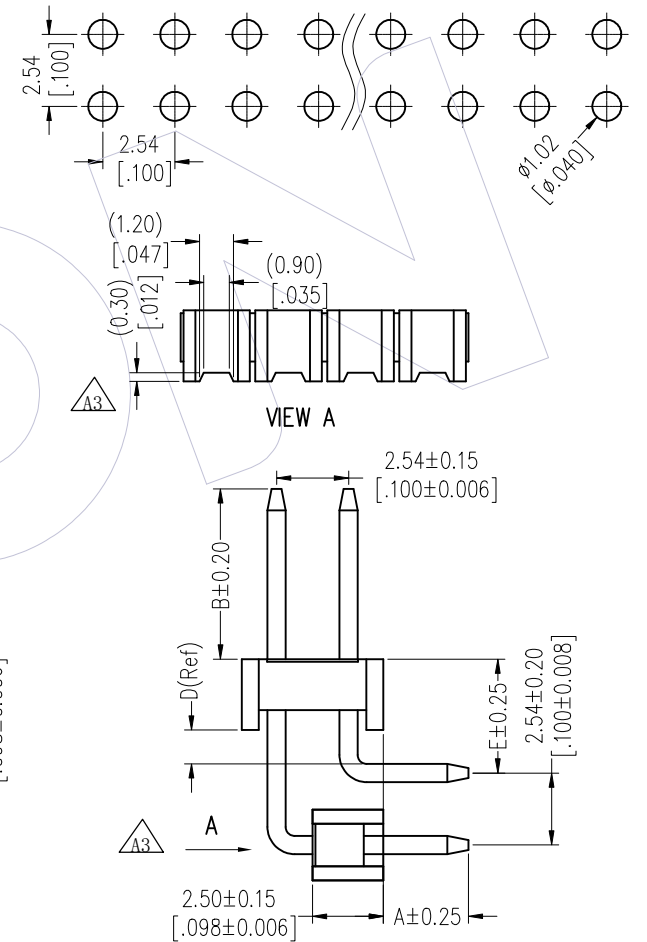
1125-1 2 XX XX R XXX C X XX

- Plastic Layer
- Plastic Row
- No. of Pins Per Row: 02-40
- Contact Plating
G0=Gold Flash
G3=10u"Au, BG3=8u"PdNi+2u"Au
G4=15u"Au, BG4=13u"PdNi+2u"Au
G5=30u"Au, BG5=28u"PdNi+2u"Au
S0=Gold Flash/Tin
S3=10u"Au/Sn, P3=8u"PdNi+2u"Au/Sn
S4=15u"Au/Sn, P4=13u"PdNi+2u"Au/Sn
S5=30u"Au/Sn, P5=28u"PdNi+2u"Au/Sn
SN=Bright Tin
SM=Matte Tin
- Insulator Material C=PA9T
- Pin Length L(See Table)
Type: R:R/A
- Series No. 01-99
- Packing 0=PE Bag

Item	Pin Length Short/Long	A	D	E	B	Mating
Standard	11.3/16.3	3.0	1.20	4.02	3.5	2135/2150T/2157
	11.8/16.8				4.0	2145/2150
	12.8/17.8				5.0	2168T/2171T
	13.5/18.5				5.84	2171/2185X
Standard	10.3/15.3	2.0 (THR)	1.20	4.02	3.5	2135/2150T/2157
	10.8/15.8				4.0	2145/2150
	11.8/16.8				5.0	2168T/2171T
	12.5/17.5				5.84	2171/2185X
Alternate						



Recommended P.C.B Layout (Top Side)
(PCB BOARD TOLERANCE ±0.05)
(PCB Thickness: T=1.60mm)



REV	DATE	MODIFICATION DESCRIPTION	CHANGE	DIM	TOL	OPERATION	DRAW	DATE	SCALE	Fit	PART NO.
A3	2025/06/26	Standardization Drawing	CP			OPERATION	DRAW	2025/06/26	SCALE	Fit	1125-12XXXXRXXXCOXX
A2	2018/06/02	Cancel PBT & Modify P/N	XSR	x.x	±0.40	OPERATION	CP	2025/06/26	UNIT	mm	TITLE:
A1	2018/01/22	Modify P/N	Ruipeng	x.xx	±0.25	CHECK	TANG	2025/06/26	SIZE	A4	PH2.54 DUAL ROW 90° CONCAVE BENDING H=2.5 ADD HOUSING
A0	2012/05/28	NEW	William Chen	x.xxx	±0.15	APPROVE	STEVEN ZHAO	2025/06/26	SHEET	1/2	CUSTOMER NO.
				Angle	± 3°				PROJ.		



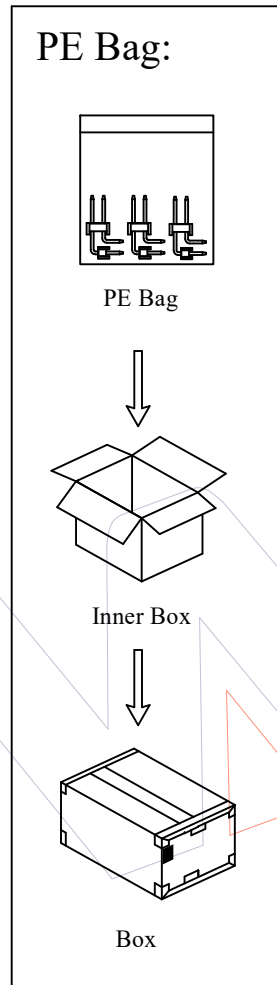
Http: www.wcon.com

WCON-Dongguan Tel: +86 769 85358920 Fax: +86 769 85358915 E-mail: sales@wcon.com	WCON-Kunshan Tel: +86 512 57468408 Fax: +86 512 57468468 E-mail: salesks@wcon.com
---	--

HSF

Packing:

Packaging Quantity Refers To The Following Table



PINS /Row	Q' ty/Bag (10.0 < L ≤ 16.0)	PINS /Row	Q' ty/Bag (10.0 < L ≤ 16.0)
2	1000	22	100
3	1000	23	100
4	500	24	100
5	500	25	100
6	500	26	100
7	300	27	100
8	300	28	100
9	200	29	100
10	200	30	50
11	200	31	50
12	200	32	50
13	200	33	50
14	200	34	50
15	200	35	50
16	200	36	50
17	200	37	50
18	200	38	50
19	200	39	50
20	100	40	50
21	100		

A3	2025/06/26	Standardization Drawing	CP	OPERATION		DRAW	DATE	SCALE	Fit	PART NO. 1125-12XXXXRXXXCOXX $\triangle A1 \triangle A2$
A2	2018/06/02	Cancel PBT & Modify P/N	XSR	x.x	±0.40	CP	2025/06/26	UNIT	mm	
A1	2018/01/22	Modify P/N	Ruipeng	x.xx	±0.25	CHECK	DATE	SIZE	A4	TITLE: PH2.54 DUAL ROW 90° CONCAVE BENDING H=2.5 ADD HOUSING
A0	2012/05/28	NEW	William Chen	x.xxx	±0.15	TANG	2025/06/26	SHEET	2/2	
REV	DATE	MODIFICATION DESCRIPTION	CHANGE	Angle	± 3°	APPROVE	DATE	PROJ.	ϕ	Customer NO.
				DIM	TOL	Steven Zhao	2025/06/26			

WCON
[Http: www.wcon.com](http://www.wcon.com)

WCON-Dongguan Tel: +86 769 85358920 Fax: +86 769 85358915 E-mail: sales@wcon.com	WCON-Kunshan Tel: +86 512 57468408 Fax: +86 512 57468468 E-mail: salesks@wcon.com
---	--

A
B
C
D
E
F
G

A
B
C
D
E
F
G