

HSF

NOTES:

Rated Current: 5.0AMP.(20°C, 2*2P-2*15P)
 3.0AMP.(20°C, 2*16P-2*40P) $\triangle A3$
 Contact Resistance: 20m Ω Max.
 Withstand Voltage: 1000V AC/DC
 Insulation Resistance: 1000M Ω Min.
 Operation Temperature: -40°C to +125°C (Gold Plating)
 -40°C to +105°C (Tin Plating) $\triangle A3$

Contact Material: Copper Alloy
 Contact Plating: Au or Sn Over 30u" Min Ni $\triangle A3$
 Insulator Material: PA9T+G.F UL94V-0 BK $\triangle A3$

Ordering Information

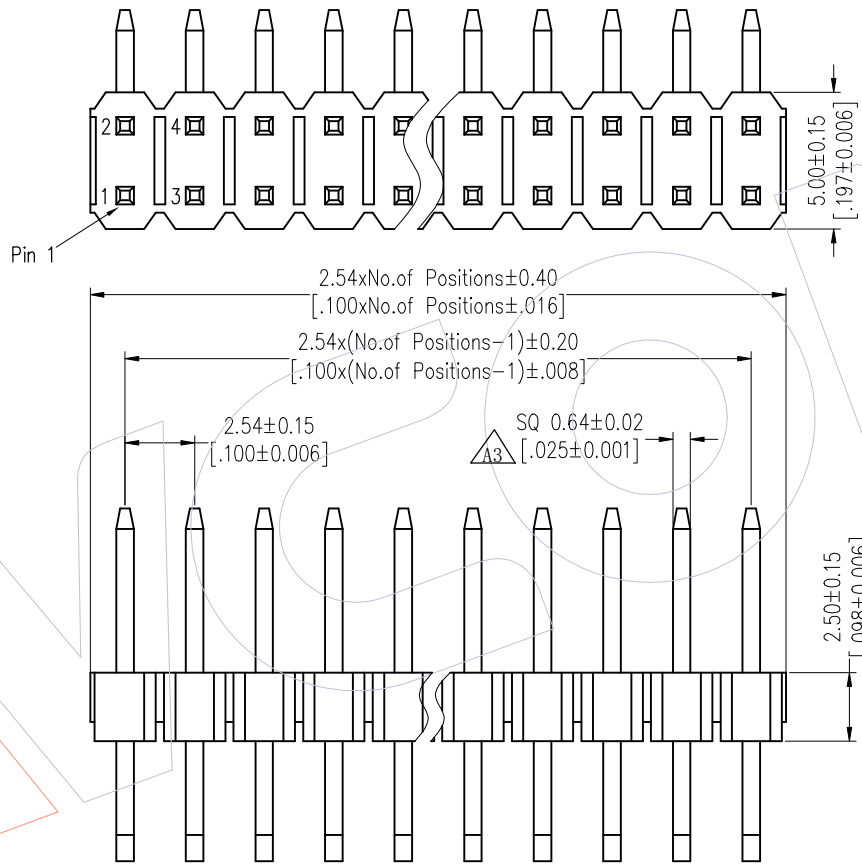
1125-1 2 XX XX R XXX C X XX $\triangle A3$

Plastic Layer
 Plastic Row
 No. of Pins Per Row: 02-40
 Series No. 01-99
 Packing 0=PE Bag

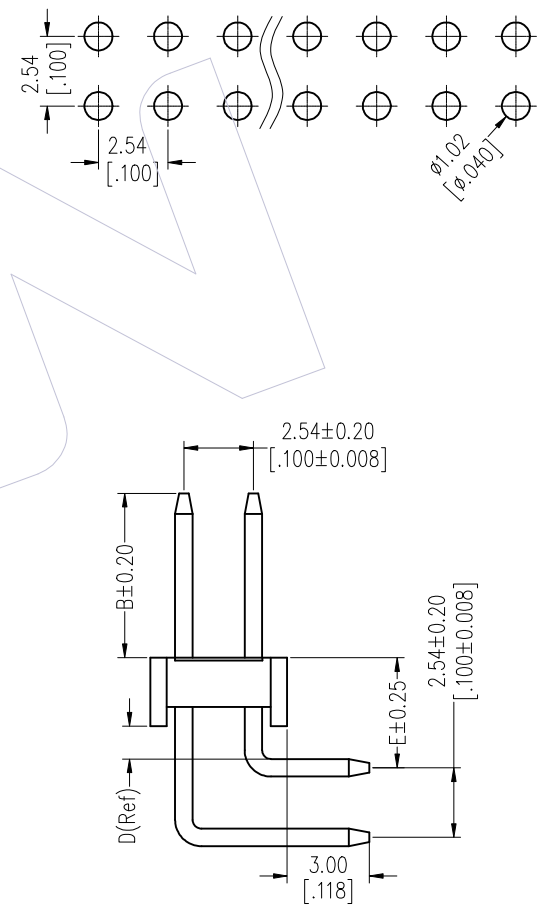
Contact Plating
 G0=Gold Flash
 G3=10u"Au, BG3=8u"PdNi+2u"Au
 G4=15u"Au, BG4=13u"PdNi+2u"Au
 G5=30u"Au, BG5=28u"PdNi+2u"Au
 S0=Gold Flash/Tin
 S3=10u"Au/Sn, P3=8u"PdNi+2u"Au/Sn
 S4=15u"Au/Sn, P4=13u"PdNi+2u"Au/Sn
 S5=30u"Au/Sn, P5=28u"PdNi+2u"Au/Sn
 SN=Bright Tin
 SM=Matte Tin $\triangle A3$

Insulator Material C=PA9T
 Pin Length L(See Table)
 Type: R/R/A $\triangle A3$

Item	Pin Length Short/Long	A	D	E	B	Mating
Standard	11.3/16.3	3.00	1.20	4.02	3.5	2135/2150T/2157
	11.8/16.8				4.0	2145/2150
	12.8/17.8				5.0	2168T/2171T
	13.5/18.5				5.84	2171/2185X
Standard	10.3/15.3	2.0 (THR)	1.20	4.02	3.5	2135/2150T/2157
	10.8/15.8				4.0	2145/2150
	11.8/16.8				5.0	2168T/2171T
	12.5/17.5				5.84	2171/2185X
Alternate						



Recommended P.C.B Layout (Top Side)
 (PCB BOARD TOLERANCE ± 0.05)
 (PCB Thickness: $T=1.60\text{m}$)



REV	DATE	MODIFICATION DESCRIPTION	CHANGE	DIM	TOL	OPERATION	DATE	SCALE	Fit	PART NO.
A3	2025/02/15	Standardization Drawing	CP			OPERATION	2025/02/15	UNIT	mm	1125-12XXXXRXXXCXXX $\triangle A1 \triangle A2$
A2	2018/06/02	Cancel PBT & Modify P/N	Surong Xu	X.X	± 0.40	CHECK	2025/02/15	SIZE	A4	TITLE:
A1	2018/01/22	Modify P/N	Ruipeng	X.XX	± 0.25	TANG	2025/02/15	SHEET	1/2	PH2.54 DUAL ROW 90° CONCAVE BENDING H=2.5
A0	2012/05/28	NEW	William Chen	X.XXX	± 0.15	APPROVE	2025/02/15	PROJ.	ϕ	Customer NO.
				Angle	$\pm 3^\circ$	Steven Zhao	2025/02/15			

WCON

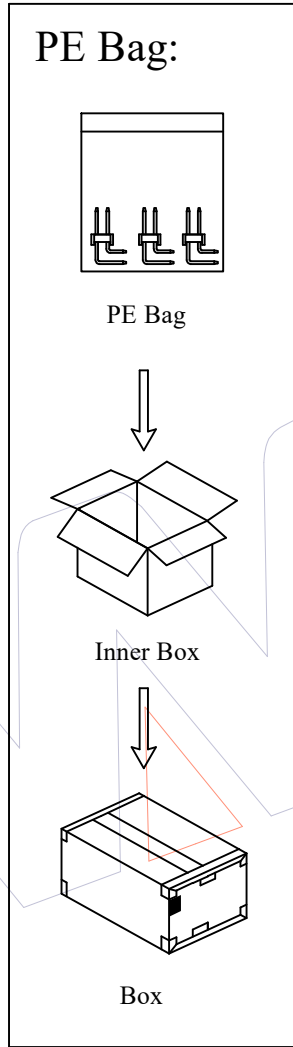
Http: www.wcon.com

WCON-Dongguan
 Tel: +86 769 85358920
 Fax: +86 769 85358915
 E-mail: sales@wcon.com

WCON-Kunshan
 Tel: +86 512 57468408
 Fax: +86 512 57468468
 E-mail: salesks@wcon.com

HSF

Packing:



Packaging Quantity Refers To The Following Table

PINS /Row	Q' ty/Bag (10.0 < L ≤ 16.0)	PINS /Row	Q' ty/Bag (10.0 < L ≤ 16.0)
2	1000	21	100
3	1000	22	100
4	300	23	100
5	500	24	100
6	500	25	100
7	300	26	100
8	300	27	100
9	200	28	100
10	200	29	50
11	200	30	50
12	200	31	50
13	200	32	50
14	200	33	50
15	200	34	50
16	200	35	50
17	200	36	50
18	200	37	50
19	100	38	50
20	100	39	50
		40	50

A3	2025/02/15	Standardization Drawing	CP	OPERATION	DRAW	DATE	SCALE	Fit	PART NO. 1125-12XXXXRXXXCXXX \triangle_{A1} \triangle_{A2} TITLE: PH2.54 DUAL ROW 90° CONCAVE BENDING H=2.5 Customer NO.
A2	2018/06/02	Cancel PBT & Modify P/N	Surong Xu	X.X ±0.40	CP	2025/02/15	UNIT	mm	
A1	2018/01/22	Modify P/N	Ruipeng	X.XX ±0.25	CHECK	DATE	SIZE	A4	
A0	2012/05/28	NEW	William Chen	X.XXX ±0.15	TANG	2025/02/15	SHEET	2/2	
REV	DATE	MODIFICATION DESCRIPTION	CHANGE	Angle ± 3°	APPROVE	DATE	PROJ.	ϕ \leftarrow	
				DIM TOL	Steven Zhao	2025/02/15			

WCON
Http: www.wcon.com

WCON-Dongguan Tel: +86 769 85358920 Fax: +86 769 85358915 E-mail: sales@wcon.com	WCON-Kunshan Tel: +86 512 57468408 Fax: +86 512 57468468 E-mail: salesks@wcon.com
---	--

A
B
C
D
E
F
G

A
B
C
D
E
F
G