

# HSF

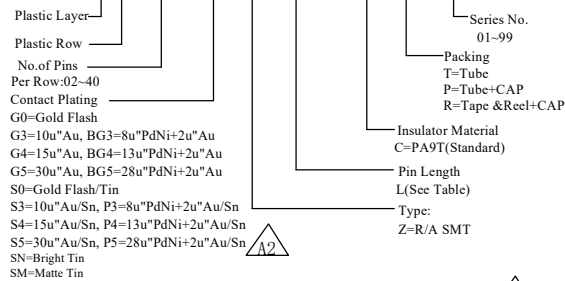
**NOTES:**

Rated Current: 5.0AMP. (20°C, 2\*2P-2\*15P)  
 3.0AMP. (20°C, 2\*16P-2\*40P)  $\triangle A2$   
 Contact Resistance: 20mΩ Max.  
 Withstand Voltage: 1000V AC/DC  
 Insulation Resistance: 1000MΩ Min.  
 Operation Temperature: -40°C to +125°C (Gold Plating)  
 -40°C to +105°C (Tin Plating)

Contact Material: Copper Alloy  $\triangle A2$   
 Contact Plating: Au or Sn Over 30u" Min Ni  $\triangle A2$   
 Insulator Material: PA9T+G.F UL94V-0 BK  $\triangle A2$

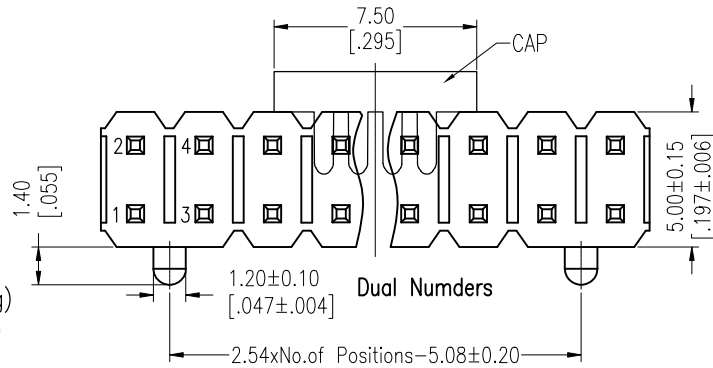
## Ordering Information

1125-1 2 XX XX Z XXX C X XX  $\triangle A2$

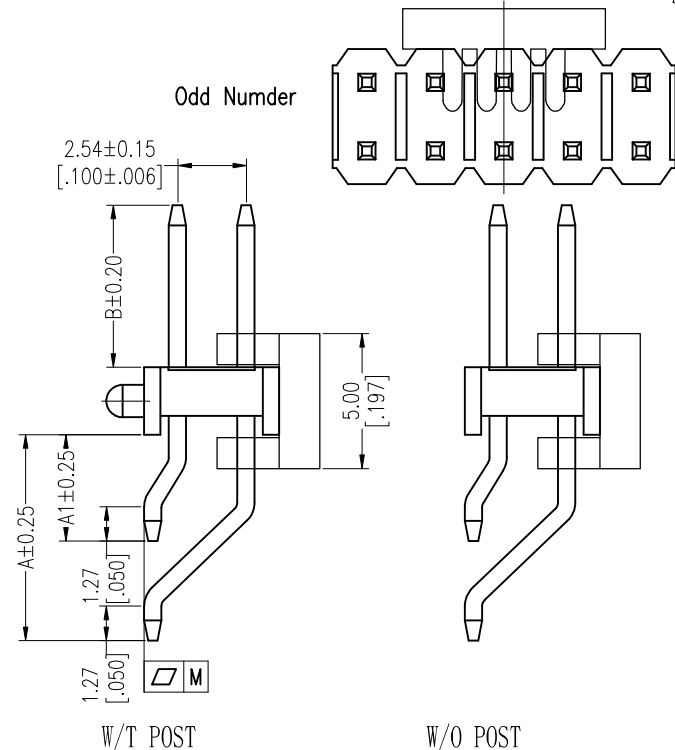
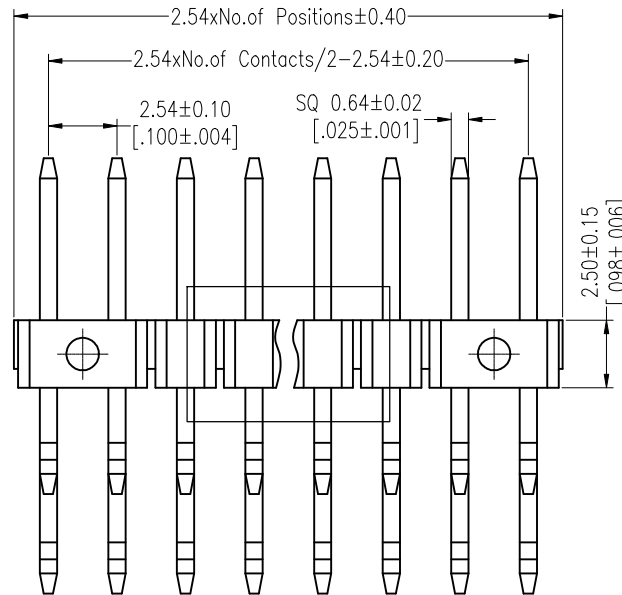
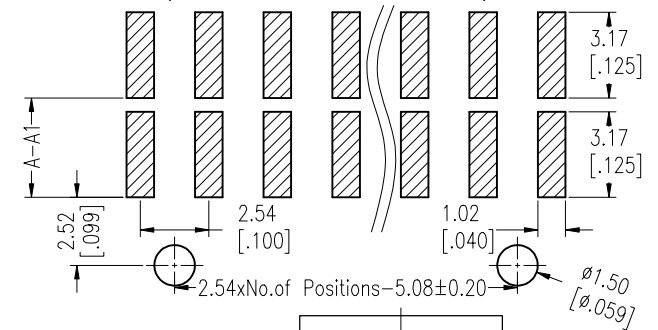


Item	Pin Length	A1	A	B	Mating
Standard	10.0/14.8	3.94	7.62	3.5	2135/2150T/2157
	10.5/15.3			4.0	2145/2150
	11.5/16.3			5.0	2168T/2171T
	12.3/17.3			5.84	2171/2185X
Alternate					

PIN(Per Row)	2-15P	16-25P	26-40P
M	0.15	0.25	0.30 $\triangle A1$



Recommended P.C.B Layout (Top Side)  
 (PCB BOARD TOLERANCE ±0.05)  
 (PCB Thickness: T=1.60mm)

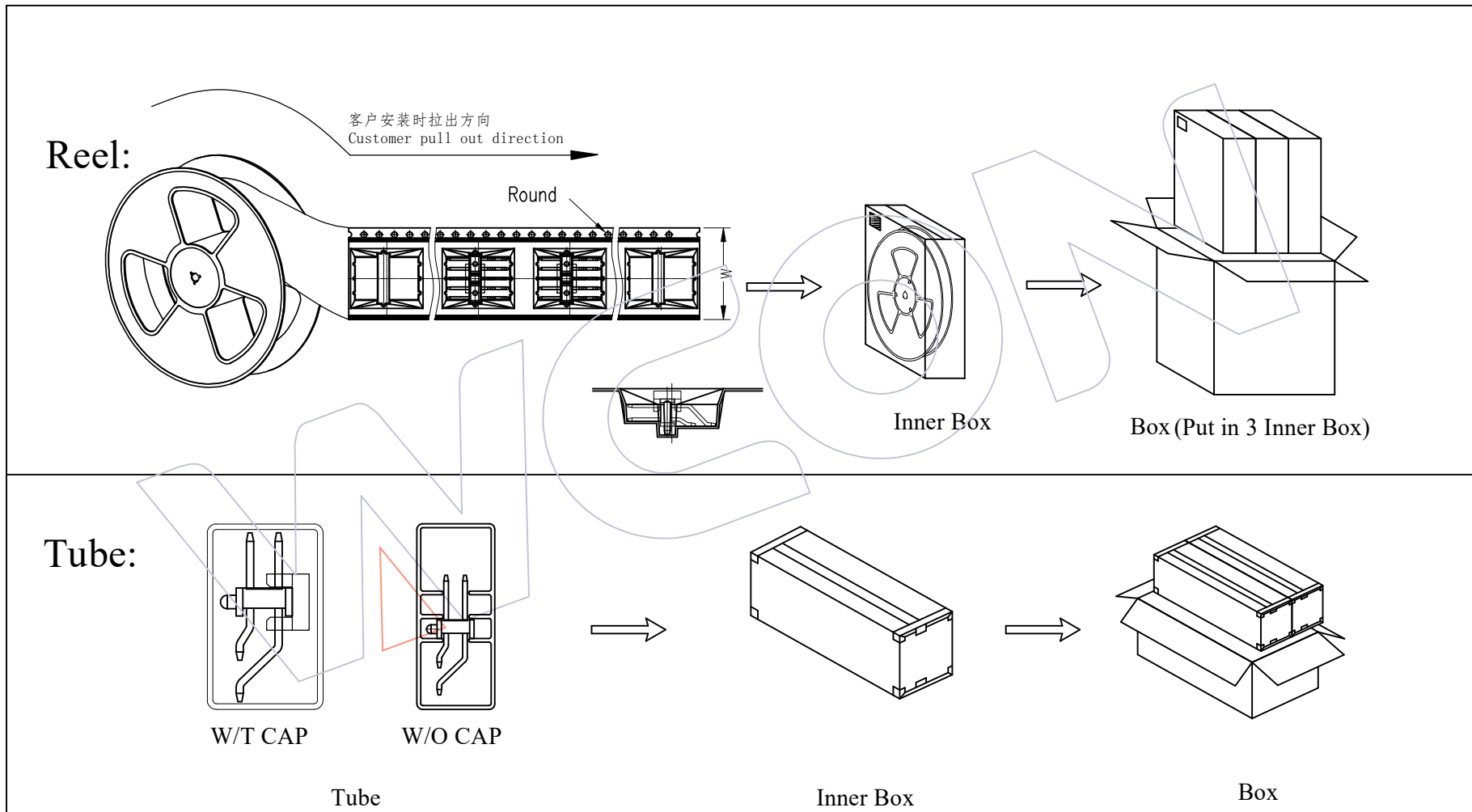



REV	DATE	MODIFICATION DESCRIPTION	CHANGE	OPERATION	DRAW	DATE	SCALE	Fit	PART NO.
A2	2025/02/28	Standardization Drawing	CP	x.X ±0.40	CP	2025/02/28	UNIT	mm [inch]	1125-12XXXXXXCRXX
A1	2023/02/03	Add Flatness	Ruipeng	x.XX ±0.25	CHECK	DATE	SIZE	A4	TITLE:
A0	2022/12/20	NEW	Ruipeng	x.XXX ±0.15	TANG	2025/02/28	SHEET	1/4	2.54mm Pin Header DUAL ROW
				Angle ± 3'	APPROVE	DATE	PROJ.		R/A&SMT H=2.5 W/T Post
				DIM TOL	Steven Zhao	2025/02/28			Customer NO.

**WCON**  
 Http: www.wcon.com  
 WCON-Dongguan Tel: +86 769 85358920  
 WCON-Kunshan Tel: +86 512 57468408  
 Fax: +86 769 85358915  
 Fax: +86 512 57468468  
 E-mail: sales@wcon.com  
 E-mail: sales@wcon.com

**HSF**

**Packing:**



				OPERATION	DRAW	DATE	SCALE	Fit	PART NO.	 Http: www.wcon.com WCON-Dongguan Tel: +86 769 85358920 WCON-Kunshan Tel: +86 512 57468408 Fax: +86 769 85358915 Fax: +86 512 57468468 E-mail: sales@wcon.com E-mail: salesks@wcon.com
A2	2025/02/28	Standardization Drawing	CP	x.X ±0.40	CP	2025/02/28	UNIT	mm [inch]	1125-12XXXXZXXXCRXX	
A1	2023/02/03	Add Flatness	Ruipeng	x.XX ±0.25	CHECK	DATE	SIZE	A4	TITLE:	
AO	2022/12/20	NEW	Ruipeng	x.XXX ±0.15	TANG	2025/02/28	SHEET	2/4	2.54mm Pin Header DUAL ROW R/A&SMT H=2.5 W/T Post	
REV	DATE	MODIFICATION DESCRIPTION	CHANGE	Angle ± 3'	APPROVE	DATE	PROJ.	Customer NO.		
				DIM TOL	Steven Zhao	2025/02/28				

HSF

Packaging Quantity Refers To The Following Table

W/O CAP

PINS /Row	Q' ty/Tube	Q' ty/Inner Box	Q' ty/Box
4	57	3,420	6,840
5	45	2,700	5,400
6	38	2,280	4,560
7	33	1,980	3,960
8	28	1,680	3,360
9	24	1,440	2,880
10	22	1,320	2,640
11	20	1,200	2,400
12	18	1,080	2,160
13	17	1,020	2,040
14	16	960	1,920
15	15	900	1,800
16	14	840	1,680
17	13	780	1,560
18	12	720	1,440
19	11	660	1,320
20	11	660	1,320
21	10	600	1,200
22	10	600	1,200

W/O CAP


PINS /Row	Q' ty/Tube	Q' ty/Inner Box	Q' ty/Box
23	9	540	1,080
24	9	540	1,080
25	9	540	1,080
26	8	480	960
27	8	480	960
28	8	480	960
29	7	420	840
30	7	420	840
31	7	420	840
32	7	420	840
33	6	360	720
34	6	360	720
35	6	360	720
36	6	360	720
37	6	360	720
38	5	300	600
39	5	300	600
40	5	300	600

W/O CAP,B=5.0

PINS /Row	Q' ty/Tube	Q' ty/Inner Box	Q' ty/Box
4	54	4,320	8,640
5	44	3,520	7,040
6	37	2,960	5,920
7	31	2,480	4,960
8	28	2,240	4,480
9	24	1,920	3,840
10	22	1,760	3,520
11	20	1,600	3,200
12	18	1,440	2,880
13	17	1,360	2,720
14	16	1,280	2,560
15	15	1,200	2,400
16	14	1,120	2,240
17	13	1,040	2,080
18	12	960	1,920
19	11	880	1,760
20	11	880	1,760
21	10	800	1,600
22	10	800	1,600

W/O CAP,B=5.0

PINS /Row	Q' ty/Tube	Q' ty/Inner Box	Q' ty/Box
23	9	720	1,440
24	9	720	1,440
25	9	720	1,440
26	8	640	1,280
27	8	640	1,280
28	8	640	1,280
29	7	560	1,120
30	7	560	1,120
31	7	560	1,120
32	7	560	1,120
33	6	480	960
34	6	480	960
35	6	480	960
36	6	480	960
37	6	480	960
38	5	400	800
39	5	400	800
40	5	400	800

REV	DATE	MODIFICATION DESCRIPTION	CHANGE	OPERATION	DRAW	DATE	SCALE	Fit	PART NO.	 Http: www.wcon.com WCON-Dongguan Tel: +86 769 85358920 WCON-Kunshan Tel: +86 512 57468408 Fax: +86 769 85358915 Fax: +86 512 57468468 E-mail: sales@wcon.com E-mail: sales@wcon.com
A2	2025/02/28	Standardization Drawing	CP	x.X ±0.40	CP	2025/02/28	UNIT	mm [inch]	1125-12XXXXZXXCRXX	
A1	2023/02/03	Add Flatness	Ruipeng	x.xx ±0.25	CHECK TANG	2025/02/28	SIZE	A4	TITLE: 2.54mm Pin Header DUAL ROW R/A&SMT H=2.5 W/T Post	
A0	2022/12/20	NEW	Ruipeng	x.xxx ±0.15	APPROVE Steven Zhao	2025/02/28	SHEET	3/4	Customer NO.	
				Angle ± 3'			PROJ.	⌀		
				DIM TOL						

**HSF**


**Packaging Quantity Refers To The Following Table**

B=3.5

PINS /Row	W	Q' ty/Reel	Q' ty/Inner Box	Q' ty/Box
2	24	370	1,110	3,330
3	24	370	1,110	3,330
4	24	370	1,110	3,330
5	24	370	1,110	3,330
6	32	370	740	2,220
7	44	370	740	2,220
8	44	370	740	2,220
9	44	370	740	2,220
10	44	370	740	2,220
11	44	370	740	2,220
12	56	370	370	1,110
13	56	370	370	1,110
14	56	370	370	1,110
15	56	370	370	1,110
16	56	370	370	1,110
17	72	370	370	1,110
18	72	370	370	1,110
19	72	370	370	1,110
20	72	370	370	1,110
21	72	370	370	1,110
22	72	370	370	1,110
23	88	370	370	1,110
24	88	370	370	1,110
25	88	370	370	1,110
26	88	370	370	1,110
27	88	370	370	1,110

B=4.0/5.0/5.85

PINS /Row	W	Q' ty/Reel	Q' ty/Inner Box	Q' ty/Box
2	24	310	930	2,790
3	24	310	930	2,790
4	24	310	930	2,790
5	24	310	930	2,790
6	32	310	620	1,860
7	44	310	620	1,860
8	44	310	620	1,860
9	44	310	620	1,860
10	44	310	620	1,860
11	44	310	620	1,860
12	56	310	310	930
13	56	310	310	930
14	56	310	310	930
15	56	310	310	930
16	56	310	310	930
17	72	310	310	930
18	72	310	310	930
19	72	310	310	930
20	72	310	310	930
21	72	310	310	930
22	72	310	310	930
23	88	310	310	930
24	88	310	310	930
25	88	310	310	930
26	88	310	310	930
27	88	310	310	930

				OPERATION	DRAW	DATE	SCALE	Fit	PART NO.	 Http: www.wcon.com WCON-Dongguan Tel: +86 769 85358920 WCON-Kunshan Tel: +86 512 57468408 Fax: +86 769 85358915 Fax: +86 512 57468468 E-mail: sales@wcon.com E-mail: salesks@wcon.com
A2	2025/02/28	Standardization Drawing	CP	x.X ±0.40	CP	2025/02/28	UNIT	mm [inch]	1125-12XXXXZXXXCRXX	
A1	2023/02/03	Add Flatness	Ruipeng	x.xx ±0.25	CHECK TANG	DATE 2025/02/28	SIZE	A4	TITLE: 2.54mm Pin Header DUAL ROW R/A&SMT H=2.5 W/T Post	
AO	2022/12/20	NEW	Ruipeng	x.xxx ±0.15	APPROVE Steven Zhao	DATE 2025/02/28	SHEET	4/4	Customer NO.	
REV	DATE	MODIFICATION DESCRIPTION	CHANGE	Angle ± 3'	DIM TOL		PROJ.	⌀		