

# HSF

**NOTES:**

Rated Current:5.0AMP.(20°C,1\*2P-1\*15P)  
 3.0AMP.(20°C,1\*16P-1\*40P)  $\triangle A3$

Contact Resistance:20mΩ Max.  
 Withstand Voltage:1000V AC/DC  
 Insulation Resistance:1000MΩ Min.

Operation Temperature:-40°C to +125°C(Gold Plating)  $\triangle A3$   
 -40°C to +105°C(Tin Plating)  $\triangle A3$

Contact Material:Copper Alloy  
 Contact Plating:Au or Sn Over 30u" Min Ni  $\triangle A3$   
 Insulator Material:PA9T+G.F UL94V-0 BK  $\triangle A3$

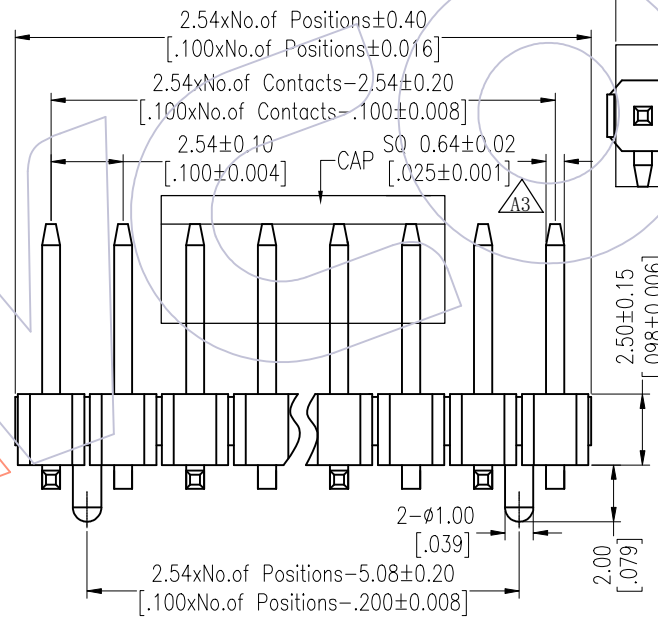
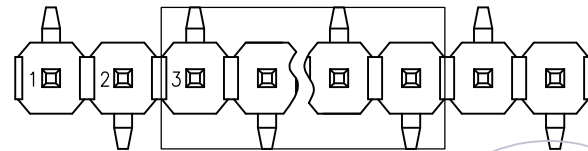
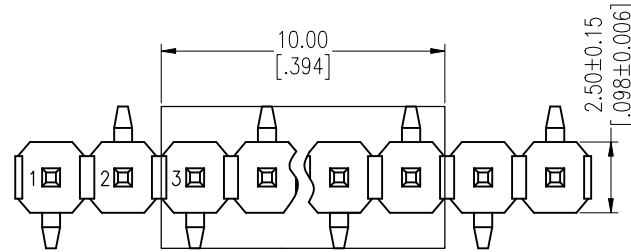
## Ordering Information

1125-1 1 XX XX M XXX C X XX

Plastic Layer  
 Plastic Row  
 No.of Pins  
 Per Row:02-40  
 Contact Plating  
 G0=Gold Flash  
 G3=10u"Au, BG3=8u"PdNi+2u"Au  
 G4=15u"Au, BG4=13u"PdNi+2u"Au  
 G5=30u"Au, BG5=28u"PdNi+2u"Au  
 S0=Gold Flash/Tin  $\triangle A3$   
 S3=10u"Au/Sn, P3=8u"PdNi+2u"Au/Sn  
 S4=15u"Au/Sn, P4=13u"PdNi+2u"Au/Sn  
 S5=30u"Au/Sn, P5=28u"PdNi+2u"Au/Sn  
 SN=Bright Tin  
 SM=Matte Tin

Series No.  
 01-99  
 Packing  
 T=Tube  
 P=Tube+CAP  
 R=Tape & Reel+CAP  
 Insulator Material  
 C=PA9T(Standard)  
 Pin Length  
 L(See Table)  
 Type:  
 M=SMT

Item	Pin Length	W	D	E	B	Mating
Standard	8.5	4.83	0.20	3.34	3.5	2135/2150T/2157
	8.8			3.74		
	9.0			3.34	4.0	2145/2150
	9.5			3.74		
	10.0			3.34	5.0	2168T/2171T
	10.3			3.74		
Alternate	10.8			3.34	5.84	2171/2185X
	11.3			3.74		

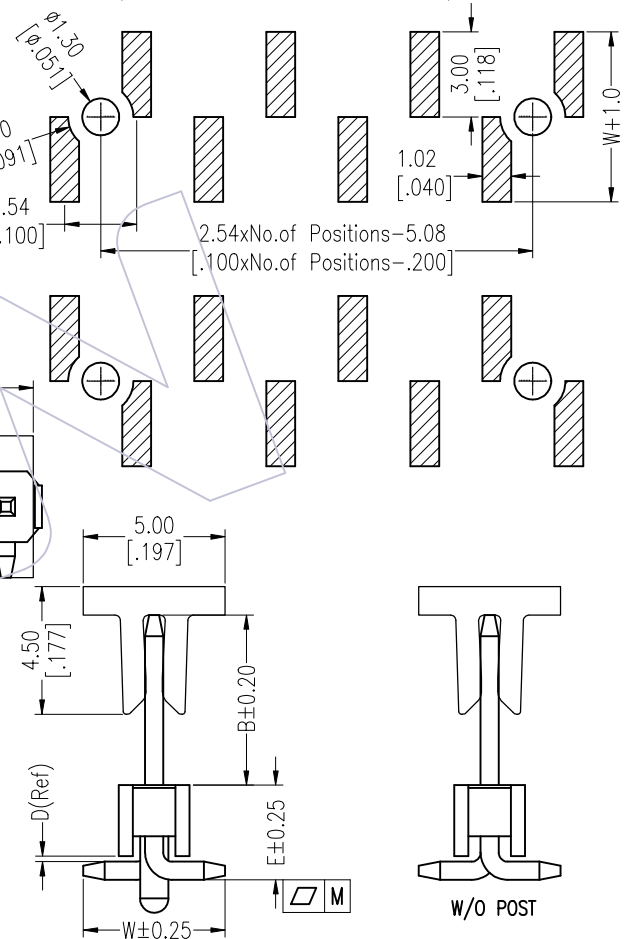


Recommended P.C.B Layout (Top Side)  
 (PCB BOARD TOLERANCE±0.05)  
 (PCB Thickness:T=1.60m)

TYPE 1

TYPE 2

2~3PIN



PIN(PerRow)	2-15P	16-25P	26-40P
M	0.10	0.15	0.18

REV	DATE	MODIFICATION DESCRIPTION	CHANGE	OPERATION	DRAW	DATE	SCALE	Fit	PART NO.
A3	2025/03/07	Standardization Drawing	CP	OPERATION	DRAW	2025/03/07	SCALE	Fit	1125-11XXXXMXXXCRXX
A2	2023/02/03	Add Flatness	DuYing	x.X ±0.40	CP	2025/03/07	UNIT	mm	TITLE: PH2.54 SINGLE ROW SMT H=2.5
A1	2018/01/22	Modify P/N	Ruipeng	x.XX ±0.25	CHECK	2025/03/07	SIZE	A4	
A0	2012/05/17	NEW	William Chen	x.XXX ±0.15	TANG	2025/03/07	SHEET	1/4	
REV	DATE	MODIFICATION DESCRIPTION	CHANGE	Angle ± 3'	APPROVE	DATE	SHEET	1/4	Customer NO.
				DIM TOL	Steven Zhao	2025/03/07	PROJ.		

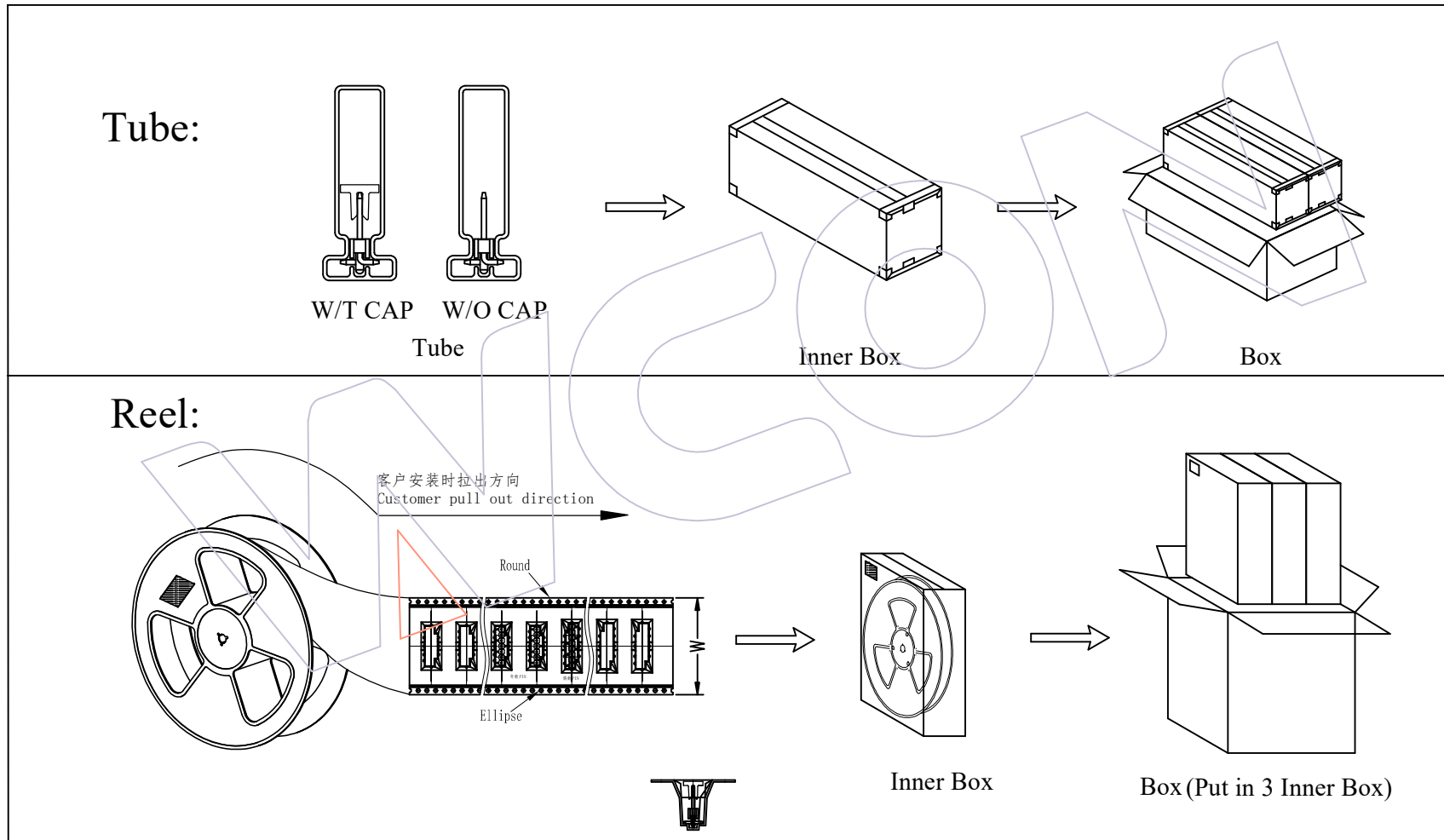
**WCON**  
 Http: www.wcon.com

WCON-Dongguan  
 Tel: +86 769 85358920  
 Fax: +86 769 85358915  
 E-mail: sales@wcon.com

WCON-Kunshan  
 Tel: +86 512 57468408  
 Fax: +86 512 57468468  
 E-mail: sales@wcon.com

**HSF**

**Packing:**



A3	2025/03/07	Standardization Drawing	CP	OPERATION	DRAW	DATE	SCALE	Fit	PART NO. 1125-11XXXXMXXXCRXX
A2	2023/02/03	Add Flatness	DuYing	x.X    ±0.40	CP	2025/03/07	UNIT	mm	
A1	2018/01/22	Modify P/N	Ruipeng	x.XX   ±0.25	CHECK	DATE	SIZE	A4	TITLE: PH2.54 SINGLE ROW SMT H=2.5
A0	2012/05/17	NEW	William Chen	x.XXX ±0.15	TANG	2025/03/07	SHEET	2/4	
REV	DATE	MODIFICATION DESCRIPTION	CHANGE	Angle   ± 3'	APPROVE	DATE	PROJ.	Customer NO.	
				DIM    TOL	Steven Zhao	2025/03/07			

**WCON**

Http: www.wcon.com

WCON-Dongguan  
Tel: +86 769 85358920  
Fax: +86 769 85358915  
E-mail: sales@wcon.com

WCON-Kunshan  
Tel: +86 512 57468408  
Fax: +86 512 57468468  
E-mail: salesks@wcon.com

# HSF


## Packaging Quantity Refers To The Following Table

B=3.5

PINS	Q' ty/Tube	Q' ty/Inner Box	Q' ty/Box
4	57	4,560	9,120
5	45	3,600	7,200
6	38	3,040	6,080
7	32	2,560	5,120
8	28	2,240	4,480
9	25	2,000	4,000
10	22	1,760	3,520
11	20	1,600	3,200
12	18	1,440	2,880
13	17	1,360	2,720
14	16	1,280	2,560
15	15	1,200	2,400
16	14	1,120	2,240
17	13	1,040	2,080
18	12	960	1,920
19	11	880	1,760
20	11	880	1,760
21	10	800	1,600
22	10	800	1,600

PINS	Q' ty/Tube	Q' ty/Inner Box	Q' ty/Box
23	9	720	1,440
24	9	720	1,440
25	9	720	1,440
26	8	640	1,280
27	8	640	1,280
28	8	640	1,280
29	7	560	1,120
30	7	560	1,120
31	7	560	1,120
32	7	560	1,120
33	6	480	960
34	6	480	960
35	6	480	960
36	6	480	960
37	6	480	960
38	5	400	800
39	5	400	800
40	5	400	800

PINS	W	Q' ty/Reel	Q' ty/Inner Box	Q' ty/Box
2	24	550	1,650	4,950
3	24	550	1,650	4,950
4	24	550	1,650	4,950
5	32	550	1,100	3,300
6	32	550	1,100	3,300
7	44	550	1,100	3,300
8	44	550	1,100	3,300
9	44	550	1,100	3,300
10	44	550	1,100	3,300
11	44	550	1,100	3,300
12	56	550	550	1,650
13	56	550	550	1,650
14	56	550	550	1,650
15	56	550	550	1,650
16	72	550	550	1,650
17	72	550	550	1,650
18	72	550	550	1,650
19	72	550	550	1,650
20	72	550	550	1,650
21	72	550	550	1,650
22	72	550	550	1,650
23	88	550	550	1,650
24	88	550	550	1,650
25	88	550	550	1,650
26	88	550	550	1,650
27	88	550	550	1,650

A3	2025/03/07	Standardization Drawing	CP	OPERATION	DRAW	DATE	SCALE	Fit	PART NO.	 <p>Http: www.wcon.com</p> <p>WCON-Dongguan Tel: +86 769 85358920 Fax: +86 769 85358915 E-mail: sales@wcon.com</p> <p>WCON-Kunshan Tel: +86 512 57468408 Fax: +86 512 57468468 E-mail: salesks@wcon.com</p>
A2	2023/02/03	Add Flatness	DuYing	x.x ±0.40	CP	2025/03/07	UNIT	mm	TITLE:	
A1	2018/01/22	Modify P/N	Ruipeng	x.xx ±0.25	CHECK	DATE	SIZE	A4	PH2.54 SINGLE ROW	
A0	2012/05/17	NEW	William Chen	x.xxx ±0.15	TANG	2025/03/07	SHEET	3/4	SMT H=2.5	
REV	DATE	MODIFICATION DESCRIPTION	CHANGE	Angle ± 3'	APPROVE	DATE	PROJ.	Customer NO.		
				DIM TOL	Steven Zhao	2025/03/07				

# HSF

## Packaging Quantity Refers To The Following Table

B=4.0

B=5.0

B=5.84

PINS	W	Q' ty/Reel	Q' ty/Inner Box	Q' ty/Box	PINS	W	Q' ty/Reel	Q' ty/Inner Box	Q' ty/Box	PINS	W	Q' ty/Reel	Q' ty/Inner Box	Q' ty/Box
2	24	500	1,500	4,500	2	24	330	990	2,970	2	24	300	900	2,700
3	24	500	1,500	4,500	3	24	330	990	2,970	3	24	300	900	2,700
4	24	500	1,500	4,500	4	24	330	990	2,970	4	32	300	600	1,800
5	32	500	1,000	3,000	5	32	330	660	1,980	5	32	300	600	1,800
6	32	500	1,000	3,000	6	44	330	660	1,980	6	32	300	600	1,800
7	44	500	1,000	3,000	7	44	330	660	1,980	7	44	300	600	1,800
8	44	500	1,000	3,000	8	44	330	660	1,980	8	44	300	600	1,800
9	44	500	1,000	3,000	9	44	330	660	1,980	9	44	300	600	1,800
10	44	500	1,000	3,000	10	44	330	660	1,980	10	44	300	600	1,800
11	56	500	500	1,500	11	56	330	330	990	11	56	300	300	900
12	56	500	500	1,500	12	56	330	330	990	12	56	300	300	900
13	56	500	500	1,500	13	56	330	330	990	13	56	300	300	900
14	56	500	500	1,500	14	56	330	330	990	14	56	300	300	900
15	56	500	500	1,500	15	72	330	330	990	15	72	300	300	900
16	72	500	500	1,500	16	72	330	330	990	16	72	300	300	900
17	72	500	500	1,500	17	72	330	330	990	17	72	300	300	900
18	72	500	500	1,500	18	72	330	330	990	18	72	300	300	900
19	72	500	500	1,500	19	72	330	330	990	19	72	300	300	900
20	72	500	500	1,500	20	72	330	330	990	20	72	300	300	900
21	72	500	500	1,500	21	72	330	330	990	21	88	300	300	900
22	88	500	500	1,500	22	88	330	330	990	22	88	300	300	900
23	88	500	500	1,500	23	88	330	330	990	23	88	300	300	900
24	88	500	500	1,500	24	88	330	330	990	24	88	300	300	900
25	88	500	500	1,500	25	88	330	330	990	25	88	300	300	900
26	88	500	500	1,500	26	88	330	330	990	26	88	300	300	900
27	88	500	500	1,500	27	88	330	330	990	27	88	300	300	900

A3	2025/03/07	Standardization Drawing	CP	OPERATION	DRAW	DATE	SCALE	Fit	PART NO.
A2	2023/02/03	Add Flatness	DuYing	x.X ±0.40	CP	2025/03/07	UNIT	mm	1125-11XXXXMXXXCRXX
A1	2018/01/22	Modify P/N	Ruipeng	x.XX ±0.25	CHECK	DATE	SIZE	A4	TITLE:
A0	2012/05/17	NEW	William Chen	x.XXX ±0.15	TANG	2025/03/07	SHEET	4/4	PH2.54 SINGLE ROW SMT H=2.5
REV	DATE	MODIFICATION DESCRIPTION	CHANGE	Angle ± 3'	APPROVE	DATE	PROJ.	☉	Customer NO.
				DIM TOL	Steven Zhao	2025/03/07			



Http: [www.wcon.com](http://www.wcon.com)

WCON-Dongguan Tel: +86 769 85358920 Fax: +86 769 85358915 E-mail: <a href="mailto:sales@wcon.com">sales@wcon.com</a>	WCON-Kunshan Tel: +86 512 57468408 Fax: +86 512 57468468 E-mail: <a href="mailto:salesks@wcon.com">salesks@wcon.com</a>
---	--