

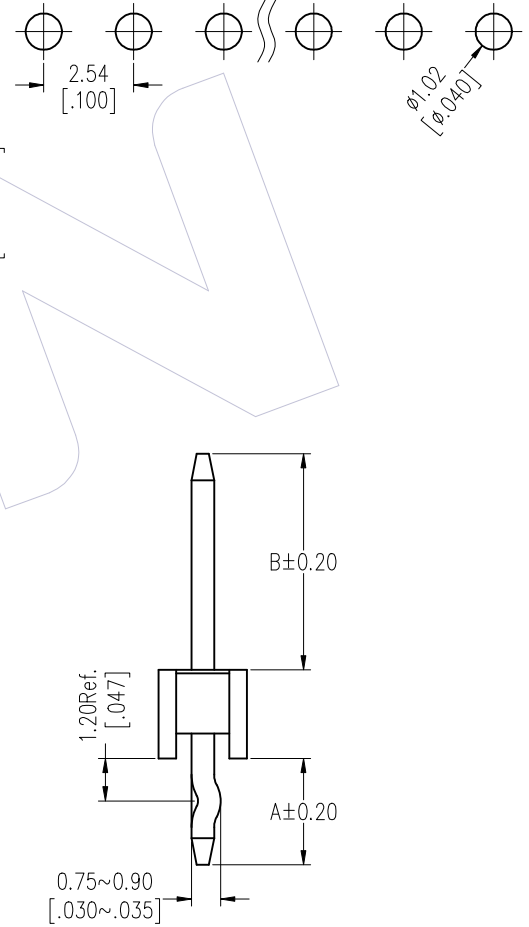
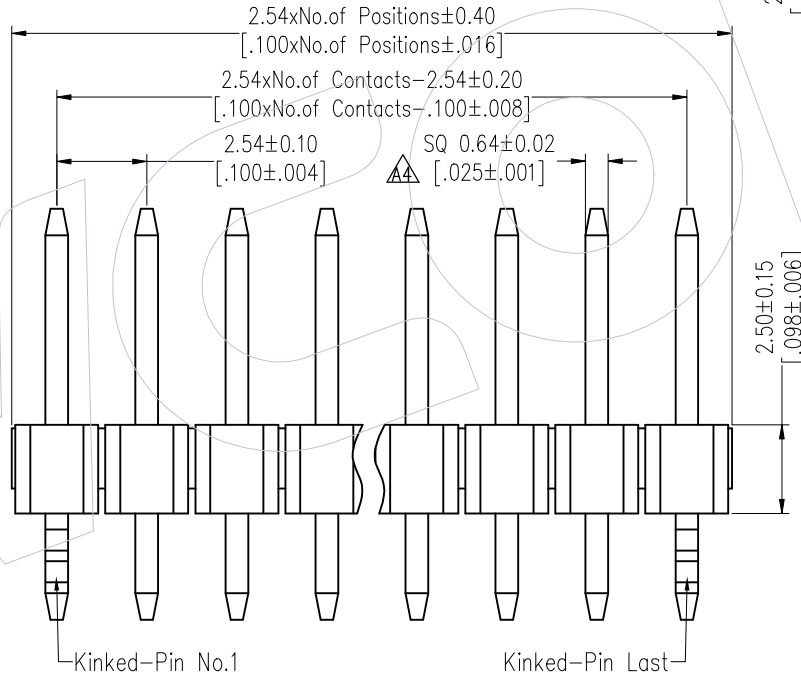
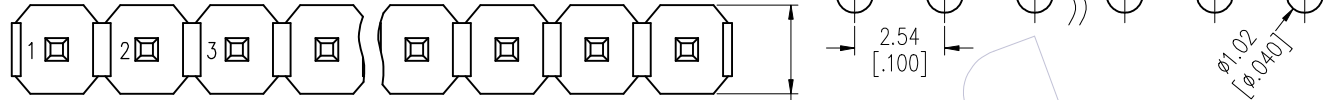
# HSF

**NOTES:**

Rated Current: 5.0AMP.(20°C,1\*2P-1\*15P)  
 3.0AMP.(20°C,1\*16P-1\*40P)  $\Delta\Delta$   
 Contact Resistance: 20m $\Omega$  Max.  
 Withstand Voltage: 1000V AC/DC  
 Insulation Resistance: 1000M $\Omega$  Min.  
 Operation Temperature: -40°C to +125°C(Gold Plating)  
 -40°C to +105°C(Tin Plating)  $\Delta\Delta$

Contact Material: Copper Alloy  $\Delta\Delta$   
 Contact Plating: Au or Sn Over 30u"Min Ni  $\Delta\Delta$   
 Insulator Material: PA9T+G.F UL94V-0 BK

Recommended P.C.B Layout (Top Side)  
 (PCB BOARD TOLERANCE $\pm$ 0.05)  
 (PCB Thickness:T=1.60m)



1125-1 1 XX XX K XXX C X XX  $\Delta\Delta$

Plastic Layer  
 Plastic Row  
 No. of Pins Per Row: 02-40  
 Contact Plating  
 G0=Gold Flash  
 G3=10u"Au, BG3=8u"PdNi+2u"Au  
 G4=15u"Au, BG4=13u"PdNi+2u"Au  
 G5=30u"Au, BG5=28u"PdNi+2u"Au  
 S0=Gold Flash/Tin  
 S3=10u"Au/Sn, P3=8u"PdNi+2u"Au/Sn  
 S4=15u"Au/Sn, P4=13u"PdNi+2u"Au/Sn  
 S5=30u"Au/Sn, P5=28u"PdNi+2u"Au/Sn  
 SN=Bright Tin  
 SM=Matte Tin

Series No. 01-99  
 Packing 0=PE Bag T=Tube  
 Insulator Material C=PA9T  
 Pin Length L(See Table)  
 Type: K:Kink Type

Item	Pin Length	A	B	Mating
Standard	9.0	3.0	3.5	2135/2150T/2157
	9.5		4.0	2145/2150
	10.5		5.0	2168T/2171T
	11.3		5.84	2171/2185X
Standard	8.0	2.0 (THR)	3.5	2135/2150T/2157
	8.5		4.0	2145/2150
	9.5		5.0	2168T/2171T
	10.3		5.84	2171/2185X
Alternate				

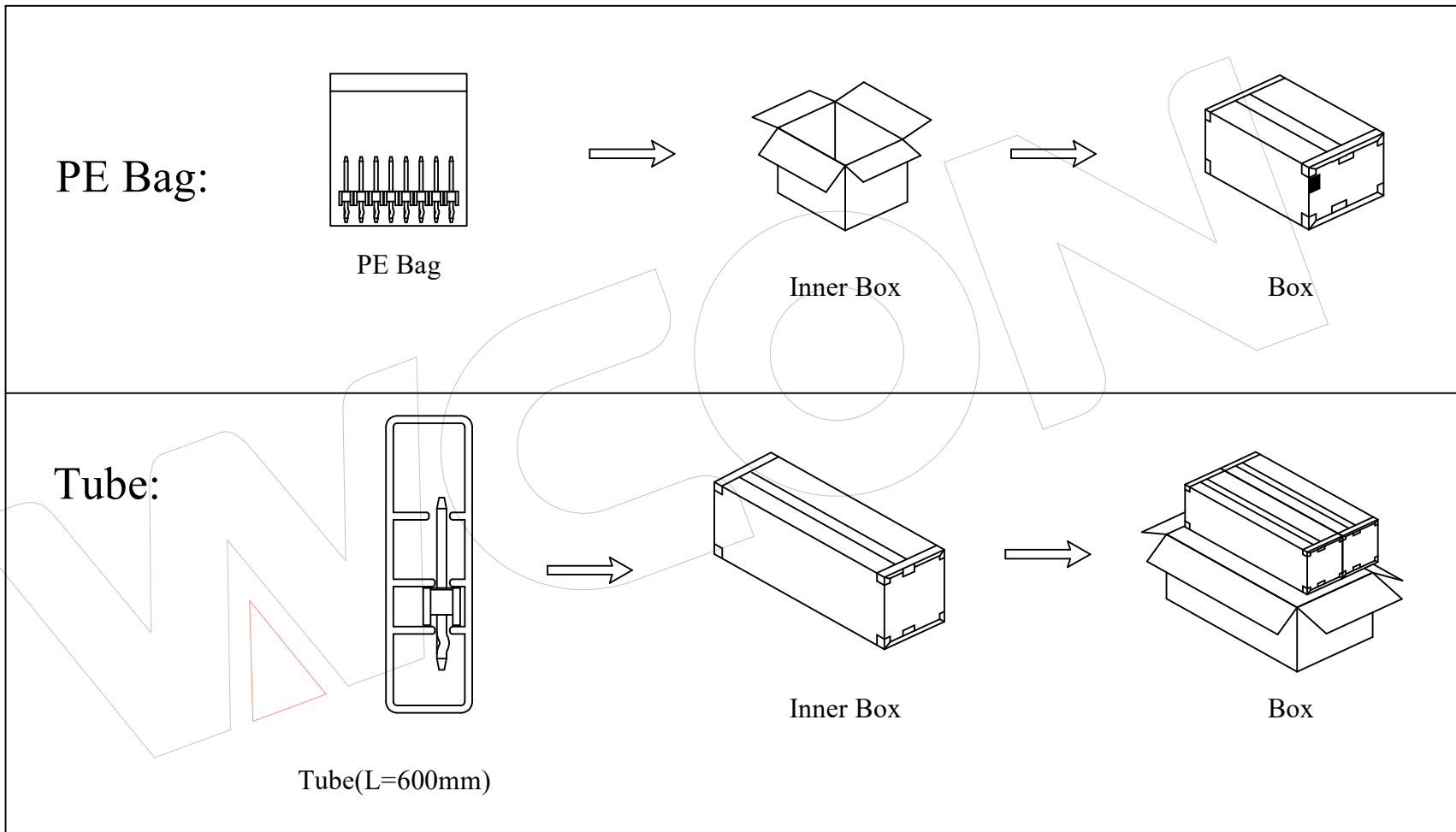
REV	DATE	MODIFICATION DESCRIPTION	CHANGE	DIM	TOL	OPERATION	DRAW	DATE	SCALE	Fit	PART NO.
A4	2025/04/01	Standardization Drawing	CP			OPERATION	DRAW	2025/04/01	UNIT	mm [inch]	1125-11XXXXKXXXCOXX $\Delta\Delta\Delta$
A3	2018/06/02	Cancel PBT & Modify P/N	Surong Xu	x.x	$\pm$ 0.40	CHECK	CP	2025/04/01	SIZE	A4	TITLE:
A2	2018/01/22	Modify P/N	Ruipeng	x.xx	$\pm$ 0.25	TANG	CHECK	2025/04/01	SHEET	1/3	PH2.54 SINGLE ROW S/T H=2.5 Kinked-PIN
A0	2012/05/17	NEW	William Chen	x.xxx	$\pm$ 0.15	APPROVE	TANG	2025/04/01	PROJ.	$\phi$	Customer NO.
				Angle	$\pm$ 3'	Steven Zhao	APPROVE	2025/04/01			

**WCON**  
 Http: www.wcon.com

WCON-Dongguan Tel: +86 769 85358920  
 WCON-Kunshan Tel: +86 512 57468408  
 Fax: +86 769 85358915  
 Fax: +86 512 57468468  
 E-mail: sales@wcon.com  
 E-mail: salesks@wcon.com

**HSF**

**Packing:**



A4	2025/04/01	Standardization Drawing	CP	OPERATION	DRAW	DATE	SCALE	Fit	PART NO. 1125-11XXXXKXXXCOXX
A3	2018/06/02	Cancel PBT & Modify P/N	Surong Xu	x.X ±0.40	CP	2025/04/01	UNIT	mm [inch]	
A2	2018/01/22	Modify P/N	Ruipeng	x.XX ±0.25	CHECK	DATE	SIZE	A4	TITLE: PH2.54 SINGLE ROW S/T H=2.5 Kinked-PIN
A0	2012/05/17	NEW	William Chen	x.XXX ±0.15	TANG	2025/04/01	SHEET	2/3	
REV	DATE	MODIFICATION DESCRIPTION	CHANGE	Angle ± 3°	APPROVE	DATE	PROJ.	Customer NO.	
				DIM TOL	Steven Zhao	2025/04/01			

**WCON**

Http: www.wcon.com

WCON-Dongguan Tel: +86 769 85358920 Fax: +86 769 85358915 E-mail: sales@wcon.com	WCON-Kunshan Tel: +86 512 57468408 Fax: +86 512 57468468 E-mail: salesks@wcon.com
---	--

**HSF**

## Packaging Quantity Refers To The Following Table

PINS	Q' ty/Bag L≤10.0	PINS	Q' ty/Bag L≤10.0	PINS	Q' ty/Bag 10.0<L≤16.0	PINS	Q' ty/Bag 10.0<L≤16.0
1	1,000	21	300	1	1,000	21	200
2	1,000	22	300	2	1,000	22	200
3	1,000	23	300	3	1,000	23	200
4	1,000	24	300	4	1,000	24	200
5	1,000	25	300	5	1,000	25	200
6	1,000	26	300	6	1,000	26	200
7	1,000	27	300	7	1,000	27	200
8	1,000	28	300	8	500	28	200
9	1,000	29	300	9	500	29	200
10	500	30	300	10	500	30	200
11	500	31	300	11	500	31	200
12	500	32	300	12	500	32	200
13	500	33	300	13	500	33	200
14	500	34	300	14	500	34	200
15	500	35	300	15	500	35	200
16	500	36	300	16	400	36	200
17	400	37	300	17	400	37	200
18	400	38	300	18	300	38	200
19	400	39	300	19	300	39	200
20	400	40	300	20	200	40	200

PINS	Q' ty/Tube	Q' ty/Inner Box	Q' ty/Box
4	54	6,480	12,960
5	44	5,280	10,560
6	37	4,440	8,880
7	31	3,720	7,440
8	27	3,240	6,480
9	24	2,880	5,760
10	22	2,640	5,280
11	20	2,400	4,800
12	18	2,160	4,320
13	17	2,040	4,080
14	16	1,920	3,840
15	15	1,800	3,600
16	14	1,680	3,360
17	13	1,560	3,120
18	12	1,440	2,880
19	11	1,320	2,640
20	11	1,320	2,640
21	10	1,200	2,400
22	10	1,200	2,400

PINS	Q' ty/Tube	Q' ty/Inner Box	Q' ty/Box
23	9	1,080	2,160
24	9	1,080	2,160
25	9	1,080	2,160
26	8	960	1,920
27	8	960	1,920
28	8	960	1,920
29	7	840	1,680
30	7	840	1,680
31	7	840	1,680
32	7	840	1,680
33	6	720	1,440
34	6	720	1,440
35	6	720	1,440
36	6	720	1,440
37	6	720	1,440
38	5	600	1,200
39	5	600	1,200
40	5	600	1,200

REV	DATE	MODIFICATION DESCRIPTION	CHANGE	DIM	TOL	APPROVE	DATE	PROJ.	SCALE	Fit	PART NO.	TITLE:	Customer NO.
A4	2025/04/01	Standardization Drawing	CP			DRAW	DATE		SCALE	Fit	1125-11XXXXKXXXCOXX	 Http: www.wcon.com WCON-Dongguan Tel: +86 769 85358920 WCON-Kunshan Tel: +86 512 57468408 Fax: +86 769 85358915 Fax: +86 512 57468468 E-mail: sales@wcon.com E-mail: salesks@wcon.com	
A3	2018/06/02	Cancel PBT & Modify P/N	Surong Xu	x.x	±0.40	CP	2025/04/01		UNIT	mm [inch]	A4		
A2	2018/01/22	Modify P/N	Ruipeng	x.xx	±0.25	CHECK	DATE		SIZE				
A0	2012/05/17	NEW	William Chen	x.xxx	±0.15	TANG	2025/04/01		SHEET	3/3	PH2.54 SINGLE ROW S/T H=2.5 Kinked-PIN		
				Angle	± 3'	APPROVE	DATE		PROJ.				
						Steven Zhao	2025/04/01						