

# HSF

**NOTES:**

Rated Current: 1.0AMP.(20°C,2\*2P-2\*15P)  
 0.75AMP.(20°C,2\*16P-2\*50P)  $\triangle$

Contact Resistance: 30mΩ max

Withstand Voltage: 500V AC/DC

Insulation Resistance: 1000MΩ min

Operation Temperature: -40°C to +125°C(Gold Plating)  $\triangle$   
 -40°C to +105°C(Tin Plating)  $\triangle$

Contact Material: Copper Alloy

Contact Plating: Au or Sn Over 30u" Min Ni

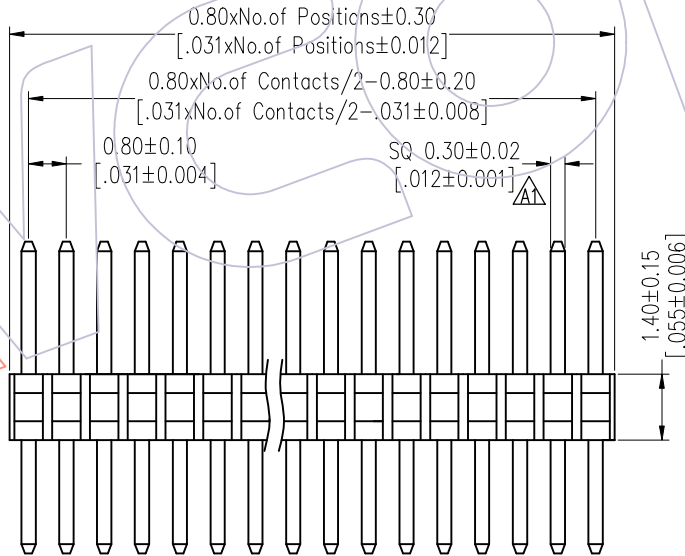
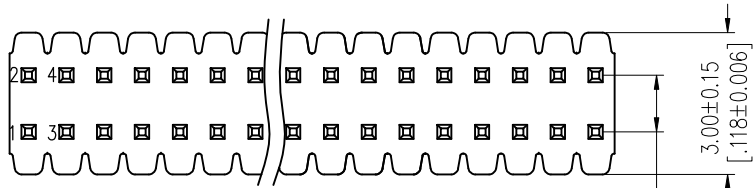
Insulator Material: LCP+G.F UL94V-0 BK(STD)

## Ordering Information

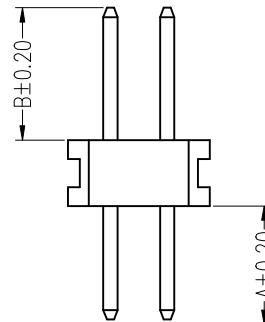
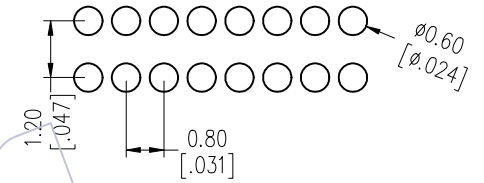
1614-1 2 XX XX S XXX X A XX  $\triangle$

Plastic Layer  
 Plastic Row  
 No. of Pins  
 Per Row: 02-50  
 Contact Plating  
 G0=Gold Flash  
 G3=10u"Au, BG3=8u"PdNi+2u"Au  
 G4=15u"Au, BG4=13u"PdNi+2u"Au  
 G5=30u"Au, BG5=28u"PdNi+2u"Au  
 SN=Bright Tin  
 SM=Matte Tin

Series No.  
 01-99  
 Packing  
 A=Tray  
 Insulator Material  
 D=LCP(Standard)  
 Pin Length  
 L(See Table)  
 Type:  
 S=S/T



Recommended P.C.B Layout (Top Side)  
 (PCB BOARD TOLERANCE±0.05)  
 (PCB Thickness: T=1.60m)



Item	Pin Length	A	B	Mating
Standard	6.8	2.5	2.8	2631 $\triangle$
Alternate				

REV	DATE	MODIFICATION DESCRIPTION	CHANGE	OPERATION	DRAW	DATE	SCALE	Fit	PART NO.
A2	2025/10/10	Standardization Drawing	CP	x.x ±0.40	CP	2025/10/10	UNIT	mm	1614-12XXXXXXSXXXAXX
A1	2024/06/20	Remove PA9T material and modify tolerance	BAO	x.xx ±0.25	CHECK	DATE	SIZE	A4	TITLE:
A0	2013/12/04	NEW	-----	x.xxx ±0.15	TANG	2025/10/10	SHEET	1/2	PH0.80*1.20 DUAL ROW 180D DIP H=1.4
				Angle ± 3°	APPROVE	DATE	PROJ.		Customer NO.
				DIM TOL	Steven Zhao	2025/10/10			

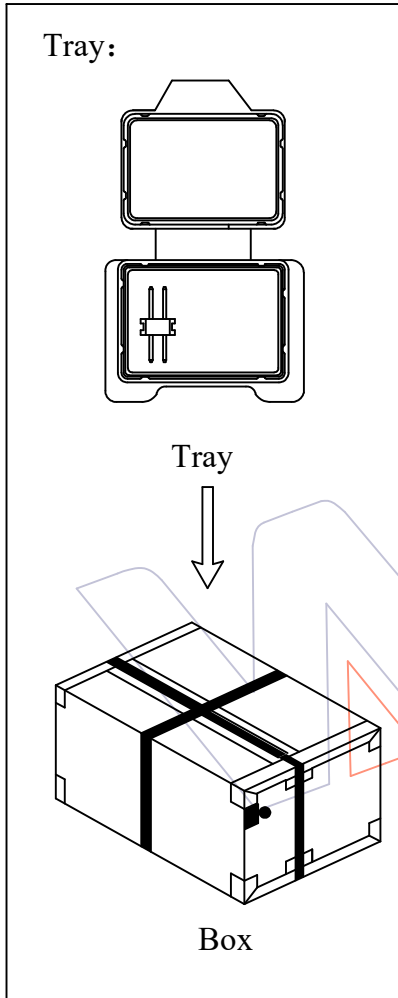
**WCON**  
 Http: www.wcon.com

WCON-Dongguan  
 Tel: +86 769 85358920  
 Fax: +86 769 85358915  
 E-mail: sales@wcon.com

WCON-Kunshan  
 Tel: +86 512 57468408  
 Fax: +86 512 57468468  
 E-mail: salesks@wcon.com

**HSF**

**Packing:**



**Packaging Quantity Refers To The Following Table**

PINS /Row	Q' ty/Tray	Q' ty/Box	PINS /Row	Q' ty/Tray	Q' ty/Box
2	1,000	48,000	27	150	7,200
3	1,000	48,000	28	100	4,800
4	800	38,400	29	100	4,800
5	800	38,400	30	100	4,800
6	500	24,000	31	100	4,800
7	500	24,000	32	100	4,800
8	500	24,000	33	100	4,800
9	300	14,400	34	100	4,800
10	300	14,400	35	100	4,800
11	300	14,400	36	100	4,800
12	300	14,400	37	100	4,800
13	300	14,400	38	100	4,800
14	250	12,000	39	100	4,800
15	250	12,000	40	100	4,800
16	250	12,000	41	100	4,800
17	250	12,000	42	80	3,840
18	200	9,600	43	80	3,840
19	200	9,600	44	80	3,840
20	200	9,600	45	80	3,840
21	200	9,600	46	80	3,840
22	150	7,200	47	80	3,840
23	150	7,200	48	80	3,840
24	150	7,200	49	80	3,840
25	150	7,200	50	80	3,840
26	150	7,200			

REV	DATE	MODIFICATION DESCRIPTION	CHANGE	OPERATION	DRAW	DATE	SCALE	Fit	PART NO.
A2	2025/10/10	Standardization Drawing	CP	x.X ±0.40	CP	2025/10/10	UNIT	mm	1614-12XXXXXXXAXX
A1	2024/06/20	Remove PA9T material and modify tolerance	BAO	x.XX ±0.25	CHECK	DATE	SIZE	A4	TITLE:
A0	2013/12/04	NEW	-----	x.XXX ±0.15	TANG	2025/10/10	SHEET	2/2	PHO. 80*1.20 DUAL ROW 180D DIP H=1.4
				Angle ± 3°	APPROVE	DATE	PROJ.		Customer NO.
				DIM TOL	Steven Zhao	2025/10/10			

**WCON**  
[Http: www.wcon.com](http://www.wcon.com)  
 WCON-Dongguan Tel: +86 769 85358920  
 WCON-Kunshan Tel: +86 512 57468408  
 Fax: +86 769 85358915 Fax: +86 512 57468468  
 E-mail: sales@wcon.com E-mail: salesks@wcon.com