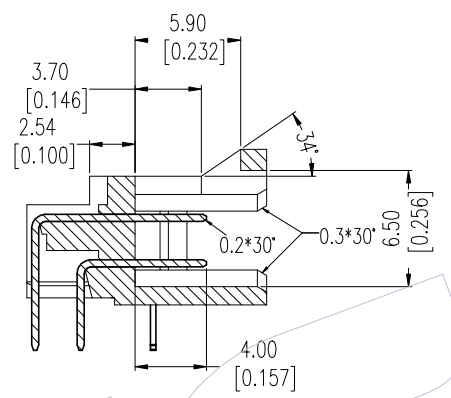
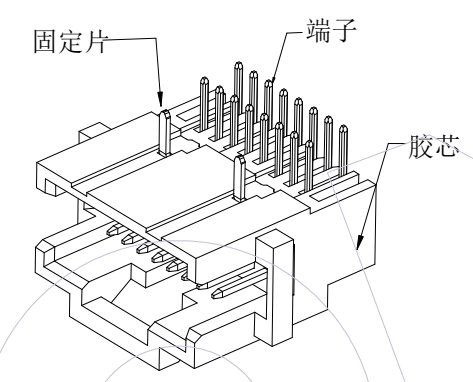


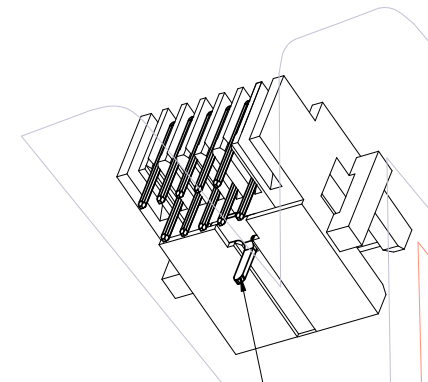
HSF



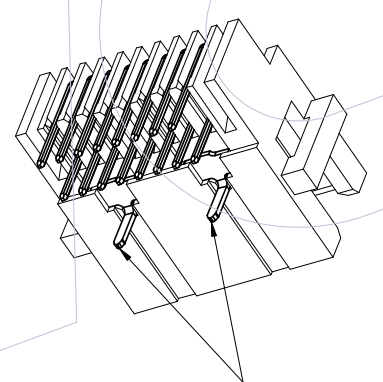
SECTION A-A



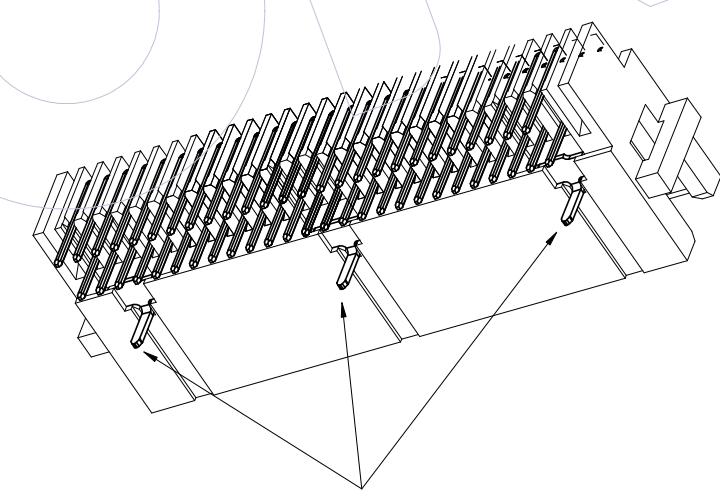
SCALE 1:1




With one fixing hardware for 4pts till 7pts(Per Row)
SCALE 1:1



With two fixing hardware for 8pts till 29pts(Per Row)
SCALE 1:1



With three fixing hardware for 30pts till 50pts(Per Row)
SCALE 1:1

				OPERATION	DRAW	DATE	SCALE	FIT	PART NO.	 Http: www.wcon.com WCON-Dongguan WCON-Kunshan Tel: +86 769 85358920 Tel: +86 512 57468408 Fax: +86 769 85358915 Fax: +86 512 57468468 E-mail: sales@wcon.com E-mail: salesks@wcon.com
				x.x ±0.40	CP	2025/05/15	UNIT	mm	WF1271-2WRHXXBX2	
A1	2025/05/15	Modinfy Drawing	CP	x.xx ±0.25	CHECK	DATE	inch	SIZE		
AO	2017/01/09	NEW	Ding	x.xxx ±0.15	TANG	2025/05/15	SHEET	A4	Customer NO.	
REV	DATE	MODIFICATION DESCRIPTION	CHANGE	Angle ± 3'	APPROVE	DATE	PROJ.	2/2		
				DIM TOL	Steven Zhao	2025/05/15				