

HSF

NOTES:

Rated Current: 7 AMP .
 Contact Resistance: 15mΩ Max.
 Rated Voltage: 1000V AC
 Operation Temperature: -40℃ to +125℃
 Sleeve Material: SUS316
 Terminal Material: C18400
 Wire Size Range: 0.5mm² .Insulation range: Ø1.6~Ø2.2
 Wire Size Range: 0.75~1.25mm² .Insulation range: Ø1.8~Ø2.4

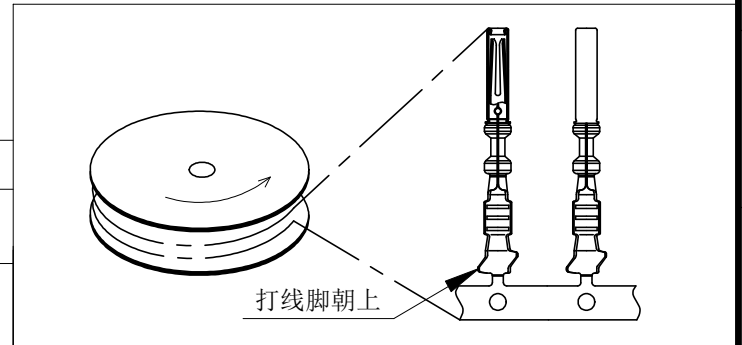
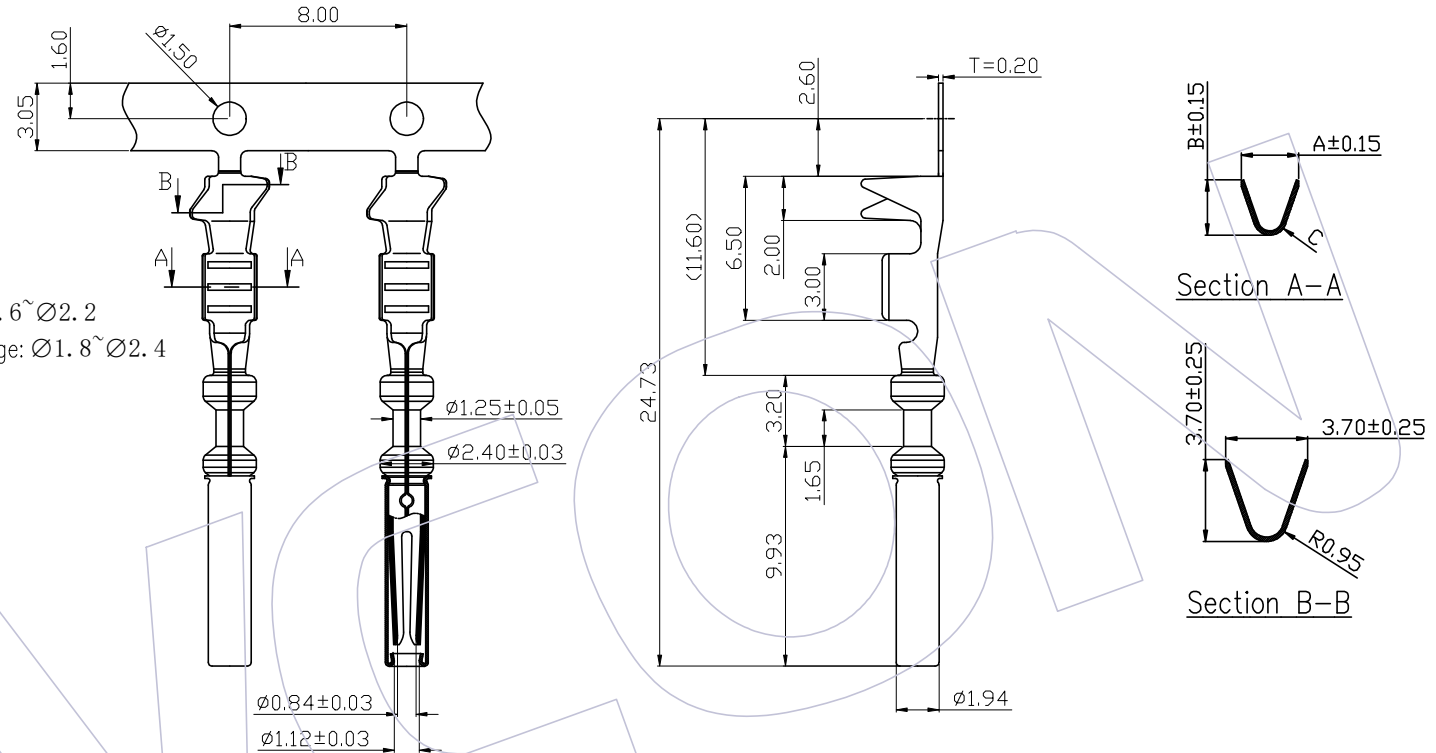
Ordering Information

T7319S-C221D1 XX XX X

Contact Plating:
 S4=15μ" Gold/Ni

Wire Size Range:
 01: 0.5mm²
 02: 0.75~1.25mm²

WCON internal code
 W: With logo
 blank: without logo



P/N	DIM"A"	DIM"B"	DIM"C"	Wire Size Range	Insulation range	WIRE EXAMPLE
T7319S-C221D1XX01(W)	2.30	2.20	R0.60	0.5mm ²	Ø1.6~Ø2.2	AVX 0.5f AVX 0.5f AVSS 0.5
T7319S-C221D1XX02(W)	2.60	2.50	R0.75	0.75-1.25mm ²	Ø1.8~Ø2.4	AVX 0.75f AESSX 0.75f AVSS 0.85~1.25

REV	DATE	MODIFICATION DESCRIPTION	CHANGE	OPERATION	DRAW	DATE	SCALE	Fit	PART NO.
				x. ±0.60	kevin-xin	2021/10/25	UNIT	mm [inch]	T7319S-C221D1XXXXW
				x.x ±0.40	CHECK	DATE	SIZE	A4	TITLE:
				x.xx ±0.25	APPROVE	DATE	SHEET	1/1	3.0*4.0 Automobile connector, line terminal
				Angle ± 3'			PROJ.		Customer NO.
				DIM TOL					

WCON
 Http: www.wcon.com

WCON-Dongguan
 Tel: +86 769 85358920
 Fax: +86 769 85358915
 E-mail: sales@wcon.com

WCON-Kunshan
 Tel: +86 512 57468408
 Fax: +86 512 57468468
 E-mail: salesks@wcon.com