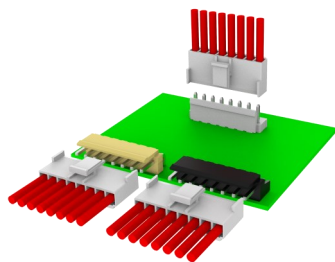


WF3963 Series

3.96mm pitch/Wire-to-board Connector

**Overview**

WF3963 is a 3.96 pitch wire-to-board connector that can be widely used in consumer electronics equipment. It provides high reliability for signal circuit, power circuit, and output circuit connections, and is a small connector for printed circuit boards with a maximum wiring capacity of 18AWG.

Features and Benefits

- Vertical and horizontal connections available
- Lock design to keep it from falling off
- High current, high power
- Provides 2-20 positions selection

Product Applications

- Consumer appliances
- Minsheng Electronic Equipment

Standard 标准

- EIA-364

Material 材料

Part/零件	Material/材料	Finish/电镀	UL Flame retardant/阻燃等级
Housing/主体	PA66	White/白色	UL94V-0
Header/板端	PA46/PA66	Black/黑色 White/白色 Natural/自然色	UL94V-0
Terminal/端子	phosphor bronze 磷铜 (C5191)	Tin-plated/镀锡	-

WF3963系列

3.96mm间距/线到板连接器

**概述**

WF3963是一款3.96间距线到板连接器，该产品是可广泛用于民生电子设备，提供信号电路、电源电路及输出电路连接的高可靠性，最大接线可达18AWG的印刷电路板用小型连接器。

产品特点

- 提供垂直、水平连接
- 锁扣设计防止脱落
- 大电流高功率
- 提供2-20针数选择

应用领域

- 民用家用电器
- 民生电子设备

UL certification UL认证

- E248993

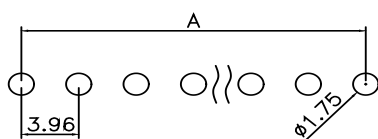
Production Specifications 产品规格

Current rating 额定电流	7.0 A	Operating temperature Range:-40° C~+105° C (including temperature rise) Operating Humidity Range:20-80% 工作温度范围: -40° C~+105° C(含温升) 工作湿度范围: 20-80%	Storage temperature: Humidity: 储存温度: 25±5° C 储存湿度: ≤60%
Voltage rating 额定电压	250V/AC		

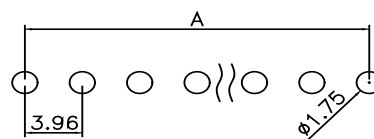
Item 项目	Condition 条件	Specification 规格
Insulation Resistance 绝缘电阻	Measured at 1000V DC for 1 minute 测试电压: 1000V DC/1分钟	No less than 1000MΩ 不少于1000MΩ
Withstanding voltage 耐电压	Measured at 1000V AC for 1 minute 测试电压: 1000V AC/1分钟	No breakdown, no discharge, leakage current <0.5mA 无击穿、无放电、漏电流<0.5mA
Contact Resistance 接触电阻	Measured at 50mA and no higher than 20mV 用20 mV DC进行测量	Contact resistance: Initial value/ 20 mΩ max After environmental tests/ 30 mΩ max. 接触电阻: 初始值 20 mΩ 以下 测试后 30 mΩ 以下
Vibration Resistance 抗振动	Frequency : 10-1000 Hz Accelerated Velocity : 27.8 m/s ² Duration : 8h each /axis Vibration : X、Y、Z 频率: 10-1000 Hz 加速度: 27.8 m/s ² 时长: 8小时/轴 振动方向: X、Y、Z	No electrical discontinuity of 1μs or greater 试验过程中未发生1μs瞬断现象, 且外观无损伤, 电气性能正常
Humidity (Steady state) 湿度	Temperature : -25° C~65° C Humidity: 90 ~95% (R.H) Duration : 96 hours 温度: -25° C~65° C 湿度: 90~95% (R.H) 时间: 96小时	Contact resistance: Initial value/ 20 mΩ max After environmental tests/ 30 mΩ max. 接触电阻: 初始值 20 mΩ 以下 测试后 30 mΩ 以下
Salt Spry 盐雾	Temperature:35± 2°C Solution concentration : 5%NaCl PHValue : 6.5 ~ 7.2 Duration : 24hours 温度: 35±2° C 溶液浓度: 5%NaCl PH值: 6.5~7.2 时间: 24小时	Contact resistance: Initial value/ 20 mΩ max After environmental tests/ 30 mΩ max. 接触电阻: 初始值 20 mΩ 以下 测试后 30 mΩ 以下
Durability(Mating/un- mating) 插拔寿命	500 cycles 循环500次	Contact resistance: Initial value/ 20 mΩ max After environmental tests/ 30 mΩ max. 接触电阻: 初始值 20 mΩ 以下 测试后 30 mΩ 以下

PCB Layout 印刷电路板布局

(S/T)DIP type 通孔焊接型



(R/A)DIP type 通孔焊接型



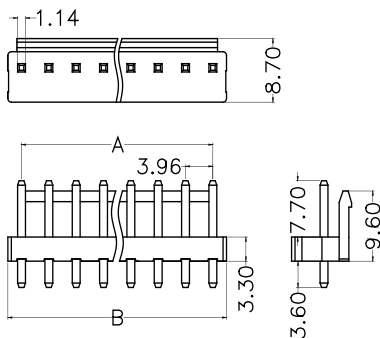
WF3963 Series

Order information 订购信息

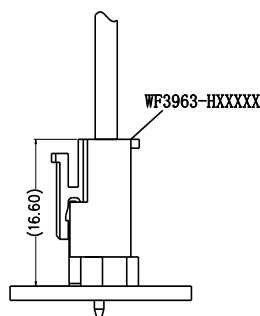
Circuit 芯数	Part number 型号			Dimensions 尺寸 (mm)		Package 包装 Q'ty/Bag只/袋装	Remake 可量产状态	
	S/T DIP	R/A DIP		A	B		S/T DIP	R/A DIP
2	WF3963-WSX02XXX0X	WF3963-WRX02XXX0X	WF3963-WRX02XXXXX31	3.96	7.92	700	*	*
3	WF3963-WSX03XXX0X	WF3963-WRX03XXX0X	WF3963-WRX03XXXXX31	7.92	11.88	500	*	*
4	WF3963-WSX04XXX0X	WF3963-WRX04XXX0X	WF3963-WRX04XXXXX31	11.88	15.84	450	*	*
5	WF3963-WSX05XXX0X	WF3963-WRX05XXX0X	WF3963-WRX05XXXXX31	15.84	19.80	350	*	*
6	WF3963-WSX06XXX0X	WF3963-WRX06XXX0X	WF3963-WRX06XXXXX31	19.80	23.76	300	*	*
7	WF3963-WSX07XXX0X	WF3963-WRX07XXX0X	WF3963-WRX07XXXXX31	23.76	27.72	250	*	*
8	WF3963-WSX08XXX0X	WF3963-WRX08XXX0X	WF3963-WRX08XXXXX31	27.72	31.68	200	*	*
9	WF3963-WSX09XXX0X	WF3963-WRX09XXX0X	WF3963-WRX09XXXXX31	31.68	35.64	150	*	*
10	WF3963-WSX10XXX0X	WF3963-WRX10XXX0X	WF3963-WRX10XXXXX31	35.64	39.60	150	*	*
11	WF3963-WSX11XXX0X	WF3963-WRX11XXX0X	WF3963-WRX11XXXXX31	39.60	43.56	100	*	*
12	WF3963-WSX12XXX0X	WF3963-WRX12XXX0X	WF3963-WRX12XXXXX31	43.56	47.52	100	*	*
13	WF3963-WSX13XXX0X	WF3963-WRX13XXX0X	WF3963-WRX13XXXXX31	47.52	51.48	100	*	*
14	WF3963-WSX14XXX0X	WF3963-WRX14XXX0X	WF3963-WRX14XXXXX31	51.48	55.44	100	*	*
15	WF3963-WSX15XXX0X	WF3963-WRX15XXX0X	WF3963-WRX15XXXXX31	55.44	59.40	100	*	*
16	WF3963-WSX16XXX0X	WF3963-WRX16XXX0X	/	59.40	63.36	30	*	*
17	WF3963-WSX17XXX0X	WF3963-WRX17XXX0X	/	63.36	67.32	30	*	*
18	WF3963-WSX18XXX0X	WF3963-WRX18XXX0X	/	67.32	71.28	20	*	*
19	WF3963-WSX19XXX0X	WF3963-WRX19XXX0X	/	71.28	75.24	20	*	*
20	WF3963-WSX20XXX0X	WF3963-WRX20XXX0X	/	75.24	79.20	20	*	*

Note: * stands for mass production . 注: *代表可量产

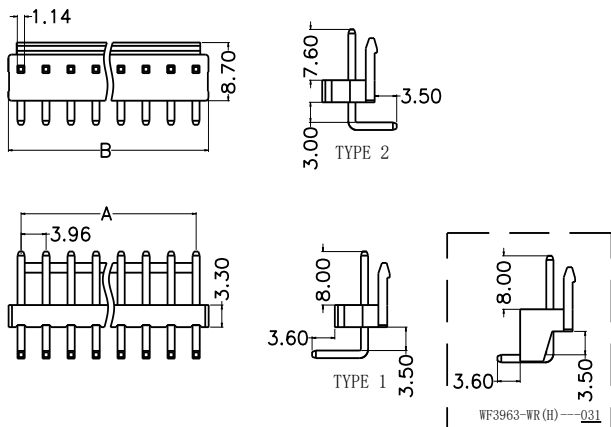
Dimensions 尺寸 (S/T DIP)



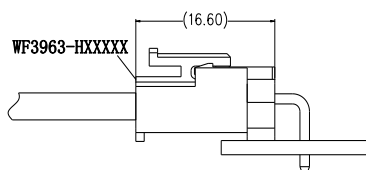
Assembly Schematic 装配示意



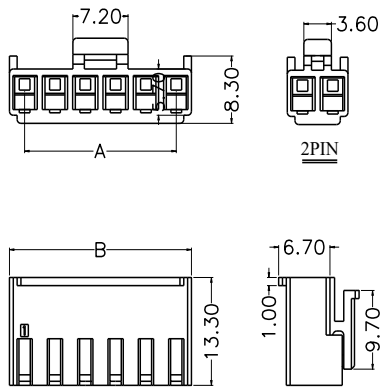
Dimensions 尺寸 (R/A DIP)



Assembly Schematic 装配示意



Dimensions 尺寸

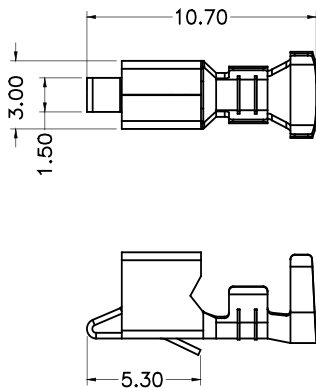


Order information 订购信息

Circuit 芯数	Part number 型号	Dimensions 尺寸 (mm)		Package 包装 Q'ty/Bag 只/袋装	Remake 可量产状态
		A	B		
2	WF3963-H02W01	3.96	7.92	500	*
3	WF3963-H03W01	7.92	11.88	500	*
4	WF3963-H04W01	11.88	15.84	500	*
5	WF3963-H05W01	15.84	19.80	500	*
6	WF3963-H06W01	19.80	23.76	500	*
7	WF3963-H07W01	23.76	27.72	400	*
8	WF3963-H08W01	27.72	31.68	400	*
9	WF3963-H09W01	31.68	35.64	400	*
10	WF3963-H10W01	35.64	39.60	400	*
11	WF3963-H11W01	39.60	43.56	300	*
12	WF3963-H12W01	43.56	47.52	300	*
13	WF3963-H13W01	47.52	51.48	200	
14	WF3963-H14W01	51.48	55.44	100	
15	WF3963-H15W01	55.44	59.40	100	
16	WF3963-H16W01	59.40	63.36	50	*
17	WF3963-H17W01	63.36	67.32	50	
18	WF3963-H18W01	67.32	71.28	50	
19	WF3963-H19W01	71.28	75.24	50	
20	WF3963-H20W01	75.24	79.20	50	

Note: * stands for mass production . 注: *代表可量产

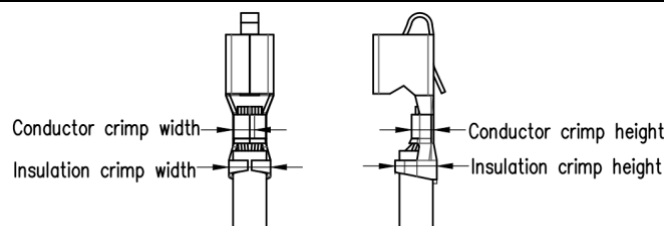
Adaptor Terminal 适配端子



Part number 型号	Suitable wire diameter 适配线径
WF3963-TPSN01	18~20AWG
WF3963-TPSN03	22~24AWG

Terminal Crimping specification 端子压接规范

型号 Model number	电线类型 Wire type	电线规格 Wire size	线缆 ID Cable ID (mm)	剥线长度 Strip length (mm)	导体铆压 (A-A) Conductor crimp		导体铆压 (A-A) Conductor crimp	
					压接宽度CB1 Crimping width CB1±0.03mm	压接高度CBm1 Crimping height CBm1+0.05mm	压接宽度CBm2 Crimping width CBm2±0.05mm	压接高度CH2 Crimping height CH2±0.08mm
WF3963-TPXX01	UL1015	18#AWG	2.80±0.10	3.0±0.5	2.00±0.05	1.10±0.05	2.70 REF.	3.00 REF.
	UL1015	20#AWG	2.60±0.10	3.2±0.5	2.00±0.05	1.00±0.05	2.70 REF.	2.80 REF.
WF3963-TPXX02	UL1015	22#AWG	2.40±0.10	3.0±0.5	1.40±0.03	0.90±0.03	2.50 REF.	2.60 REF.
	UL1015	24#AWG	2.20±0.10	3.2±0.5	1.40±0.03	0.80±0.03	2.50 REF.	2.40 REF.



WF3963 Series

Model numbering allocation 型号命名

WF3963	-	XX	X	XX	XX	X	X	X
(1)		(2)	(3)	(4)	(5)	(6)	(7)	(8)
(1) Series (系列): Wafer 3.96mm Series				(5) Contact Plating (电镀): Blank=Tin、SX=xx u" Gold/ Tin、GX=xx u" Gold				
(2) Terminal type (端子形态): WS=S/T DIP、WR=R/A DIP				(6) Color (颜色): B=Black、W=White、T=Natural				
(3) Plastic characteristics code (塑胶特性代码): H=PA46、Blank=PA66				(7) Packing (包装): 0=PE Bag、A=Tray、T=Tube、R=Reel				
(4) Circuit (位数): 02=2P.....20=20P				(8) Internal code (流水码): 1=Type 1、2=Type 2、31=Special code				

WF3963	-	H	XX	W	0	1
(1)		(2)	(3)	(4)	(5)	(6)
(1) Series (系列): Wafer 3.96mm Series			(4) Color (颜色): W=White			
(2) Number of rows (行数): H=Crimp Type Housing			(5) Packing (包装): 0=PE Bag			
(3) Circuit (位数): 02=2P.....20=20P			(6) Internal code (流水码)			

Contact Us 联系我们

维峰电子股份有限公司 (总部)
WCON ELECTRONICS CO.,LTD(HQ)
地址: 广东省东莞市虎门镇大宁文明路15号
Add :No.15,Wenming Road,Danling Community, Humen Town,
Dongguan, Guangdong.523930, China

昆山维康电子有限公司
KUNSHAN WCON ELECTRONICS CO.,LTD(East of China)
地址: 江苏昆山千灯镇汶浦中路169号
Add : No.169, WenPu Middle Road, QianDeng Town, Kunshan
City, Jiangsu Province, China

合肥维峰电子有限公司
HEFEI WCON ELECTRONICS CO.,LTD
地址: 安徽合肥市高新技术开发区绿城科技园E栋2楼
Add : 2F, Building E, Greentown Science Park, High-tech Development
Zone, Hefei, Anhui, China

维康电子(泰国)有限公司
WCON ELECTRONICS (Thailand) CO.,LTD
地址: 泰国巴真武里府西玛铺县华瓦区洛加纳工业园
Add: VG3C+H57, Hua Wa, Si Maha Phot District, Prachin Buri
25140, Thailand

销售联系方式 Contacts Information

国际客户部 International sales department
salesdg01@wcon.com
salesdg05@wcon.com

大客户专线 Major customer dedicated department
华南: salesdg28@wcon.com
华东: salesks@wcon.com

中小客户专线 Public Customer hot line
华南: salesdg10@wcon.com
华东: salesks01@wcon.com

网络销售 Online sales department
salesdg26@wcon.com



Official Website



Product e-catalog



WeChat Public#



TikTok Public#